



## Eaton Fuller RTX-14609B Transmission Parts Manual

This is Eaton Fuller RTX-14609B Transmission parts manual brought to you by Pro Gear and Transmission to assist you identifying the parts for your Eaton / Fuller transmission unit.

If you need any assistance identifying the correct Eaton / Fuller unit for your truck and equipment, contact your Eaton replacement parts specialists at Pro Gear and Transmission.

Pro Gear stocks every part for your Eaton transmission including: Valve Assemblies, Synchronizers, Yoke Assemblies, O-Ring Kits, Drive Gears, Gaskets, Bearing and Seal Kits, and much more.

Pro Gear and Transmission has same day shipping and thousands of products in stock and ready to ship internationally for your next project.

For parts or service contact the Eaton transmission specialists at Pro Gear & Transmission, Inc.

 CALL US

 EMAIL US

 VISIT MODEL PAGE

 VISIT ONLINE STORE



**Roadranger®**

More time on the road®

# Illustrated Parts List

---

**RTX-14609B**  
**July 2011**

# Contents

How To Use The Illustrated Parts List .....	3
AUX. COUNTERSHAFT PUMP .....	4
OIL COOLER/CONNECTIONS.....	4
AUX. COUNTERSHAFT PUMP .....	5
OIL PUMP AND INLET LINE.....	5
AUXILIARY DRIVE GEAR.....	6
CASE (AUX) .....	7
CASE (FRONT).....	9
COUNTERSHAFT & BRGS(AUX).....	11
COUNTERSHAFT ASSY.....	12
FILTER REGULATOR.....	13
H & C W/19470 VALVE.....	14
H & C W/A-4688 VALVE.....	15
H & C W/A-5000 VALVE.....	16
INPUT SHAFT & DRIVE GEAR.....	17
INTEGRAL OIL PUMP .....	19
ISOLATORS.....	21
KITS & ASSEMBLIES.....	22
LEVERS/HOUSINGS .....	24
MAINSHAFT & SYNCHRO(AUX).....	26
MAINSHAFT ASSY.....	27
MISC. THRU-SHAFT PTO.....	29
COUNTERSHAFT.....	29
MISC. THRU-SHAFT PTO.....	30
REAR HOUSING ASSY.....	30
MISCELLANEOUS .....	31
NON-SELECTIVE M/S ASSY .....	32
OIL COOLER.....	33
RANGE CYLINDER.....	34
RANGE VALVE .....	35
REVERSE IDLER.....	37
ROAD SPEED GOVERNOR .....	38
ROADRANGER VALVE .....	41
SHIFT BAR HOUSING (X).....	42
SLAVE VALVE - 19470.....	44
SLAVE VALVE - A-4688.....	45
SLAVE VALVE - A-5000.....	46

## How To Use The Illustrated Parts List

The information contained in this document is subject to frequent updates. Therefore, for the latest information available, please visit the interactive Electronic Parts Catalog at [www.roadranger.com/epc](http://www.roadranger.com/epc).

### Model Designation or Nomenclature

- For information regarding Model Designation and Nomenclature, visit [www.roadranger.com](http://www.roadranger.com).

### Kits and Assemblies (K/A's)

- Kits and Assemblies contain groups of individual or assembled parts developed for optimal replacement or repair of a service problem.
- Kits and Assemblies are shown with applicable parts groupings in the parts listings.

### Identifying Kits and Assemblies

A- Part numbers beginning with the letter 'A' are pre-assembled Production Assemblies

K- Part numbers beginning with the letter 'K' are kits that are not assembled

S- Part numbers beginning with the letter 'S' are pre-assembled Service Assemblies

- Note: Some Production Assemblies do not begin with a letter prefix (Midrange only).

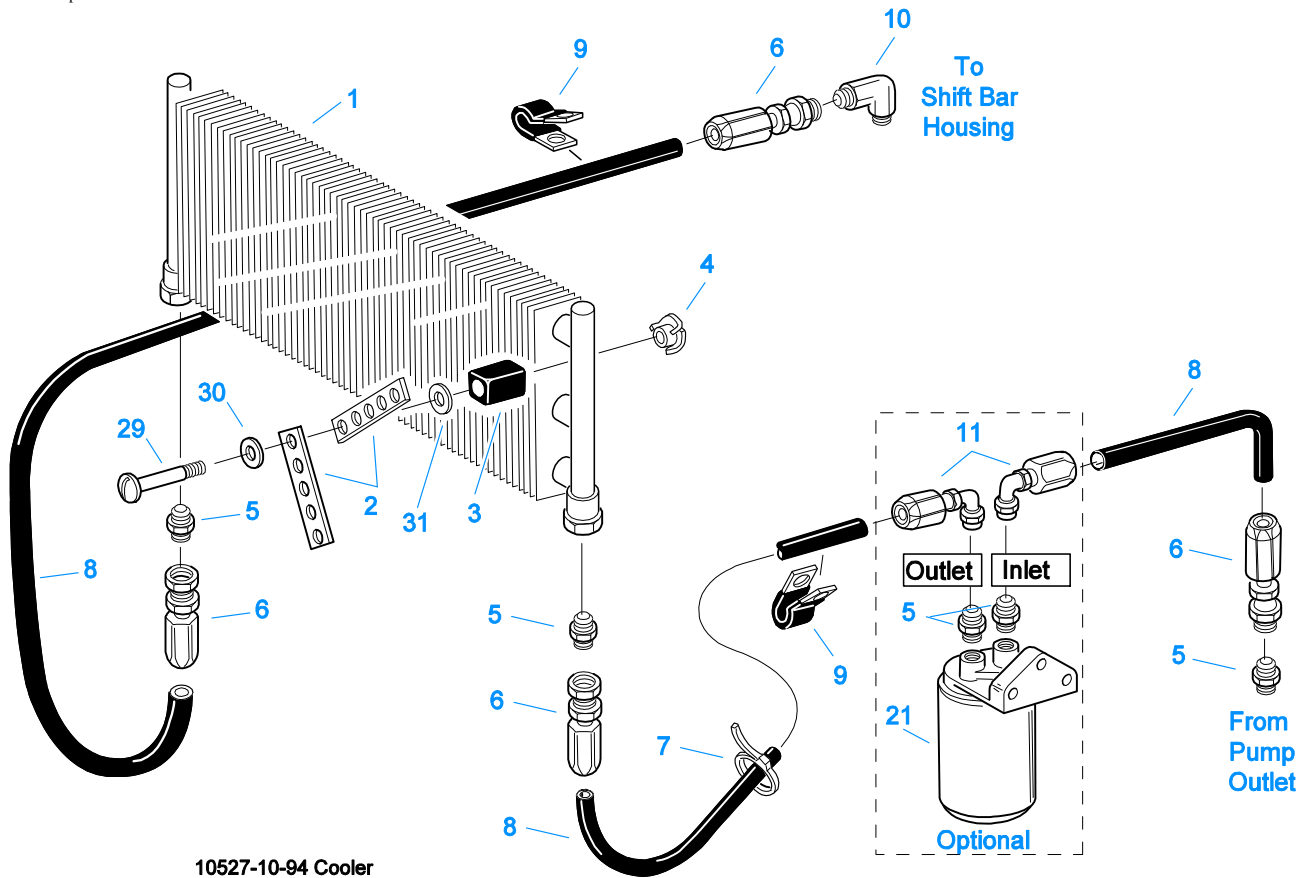
### Illustrations

- Illustrations show parts in assembly groups.
- Item numbers on illustrations correspond with parts listings on pages adjacent to the illustration.
- Notes are included on illustrations where additional information is needed.

### Parts Listing

Parts listings are defined by parts groupings and are broken down by service assemblies. Parts listings identify a part for servicing with the following categories

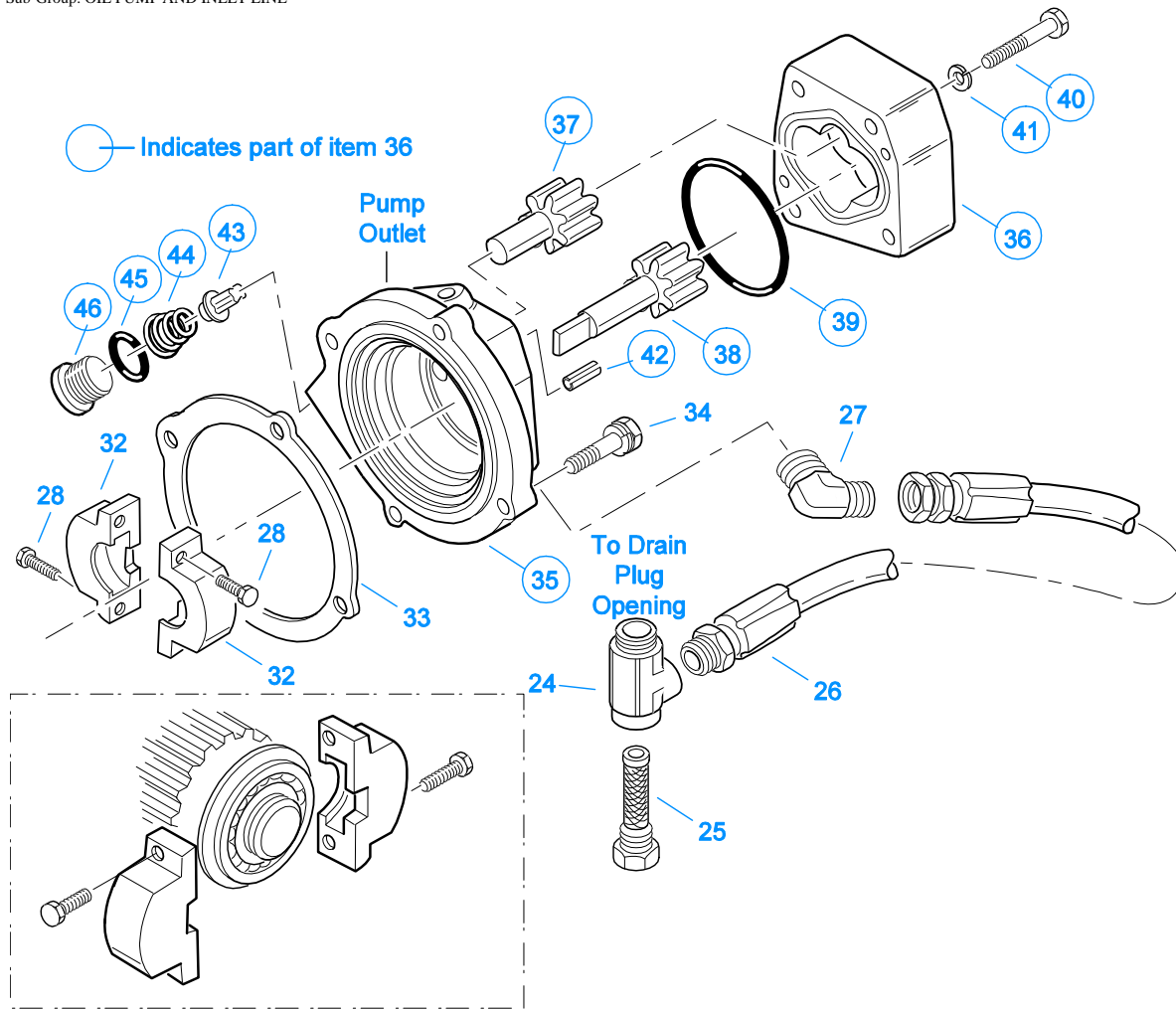
- **Item Number** - corresponding with numbers on illustrations for part identification.
- **Current Part** - identifies part as it is available for service.
- **Description** - specifies part name or description.
- **Replaced Part** - quantity quantity required for assembly.
- **Quantity** - defines unique characteristics or requirements.
- **Notes** - indicates Kits or Assemblies that contain a particular part.
- **Kits/Assy's Where Used**



## AUX. COUNTERSHAFT PUMP

### OIL COOLER/CONNECTIONS

Item	Current Part	Description	Replaced Part	Qty.	Notes	Kits/Assys Where Needed
1	18025	OIL COOLER		1		
2	18211	BRACKET		4		
3	18209	PLUG-RUBBER MOUNT		2		
4	18210	NUT		2		
5	19419	CONNECTOR		5		
6	19415	SWIVEL		4		
7	17190	STRAP		8		
8	19424	HOSE		1	25 FEET	
9	19423	CLAMP		5		
10	19420	ELBOW		1		
11	19422	ELBOW		2		
21	S-1404	OIL FILTER	17238	1		
29	X-8-535	CAPSCREW		2	5/16"-16X2-1/2"	
30	X-3-506	LOCKWASHER		2	5/16"	
31	X-10-501	WASHER		2	5/16"	

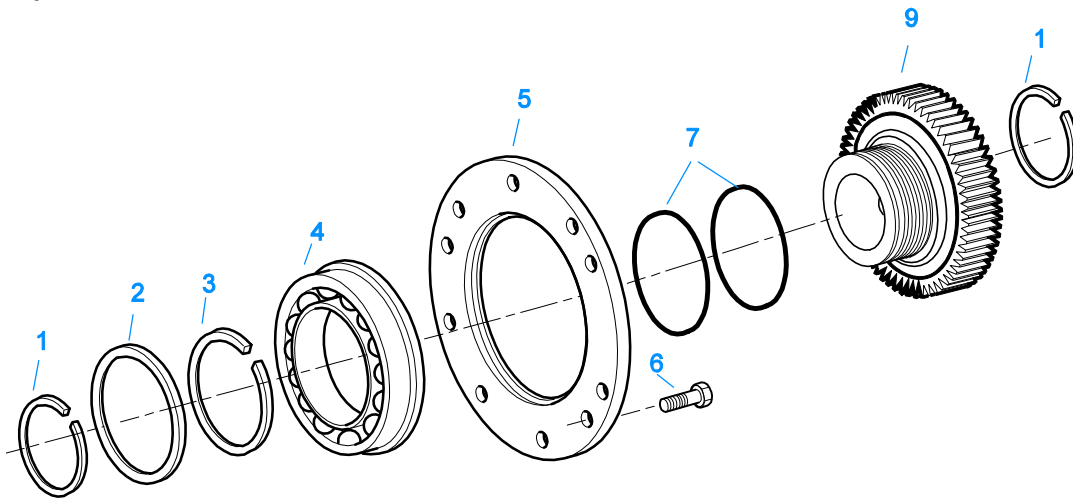


10523-10-94 Oil Pump

## AUX. COUNTERSHAFT PUMP

### OIL PUMP AND INLET LINE

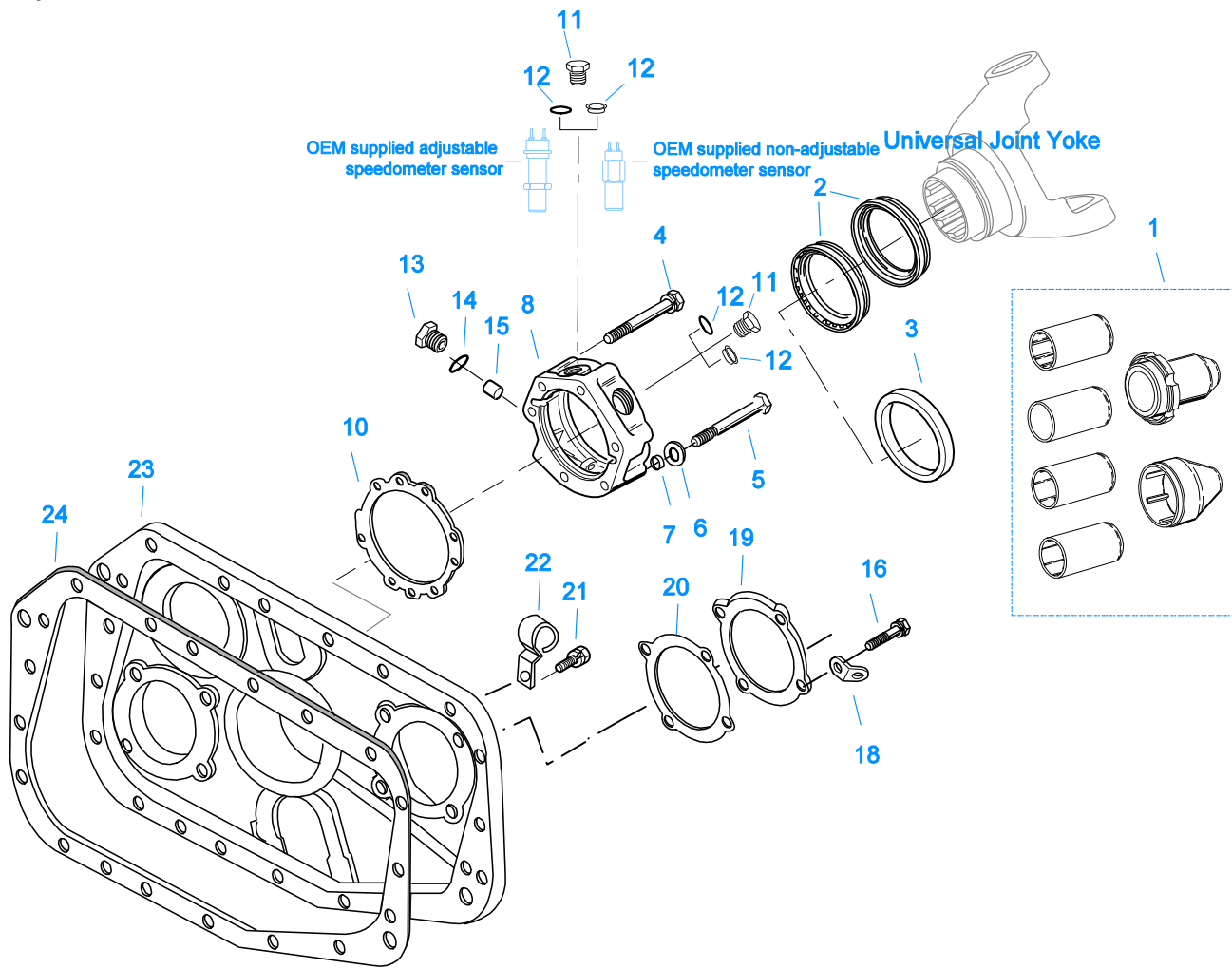
Item	Current Part	Description	Replaced Part	Qty.	Notes	Kits/Assys Where Needed
24	19412	TEE		1		
25	19413	STRAINER		1		
26	19425	HOSE ASSY		1		
27	19418	ELBOW		1		
28	X-7-416	CAPSCREW		2	1/4"-28X13/16" SOCKET HEAD	
32	K-1711	COLLAR KIT	19404	1		
33	19409	GASKET		1		
34	X-8-685	CAPSCREW		1	3/8"-16X2-3/4" SOCKET HEAD	
34	X-8L-602	CAPSCREW		3	3/8"-16X1-1/2"	
35	19401	OIL PUMP ADAPTER		1		
36	A-4680	OIL PUMP ASSY	19400	1		
37	A-4676	IDLER GEAR ASSY		1		
38	A-4677	DRIVE GEAR ASSY		1		
39	18109	-O- RING		1		
40	X-8-434	CAPSCREW		4	1/4"-20X2"	
41	X-3-400	LOCKWASHER		4	1/4"	
42	62515	ROLL PIN		2		
43	12757	VALVE		1		
44	12755	SPRING		1		
45	5568536	-O- RING	13884	1		
46	19411	PLUG		1		



10482-12/92 Aux DG

## AUXILIARY DRIVE GEAR

Item	Current Part	Description	Replaced Part	Qty.	Notes	Kits/Assys Where Needed
1	16763	SNAP RING		2		K-1800,K-1870,K-1971,K-3157,K-3694
2	21320	SNAP RING RETAINER		1	RTO/RTOF/RTX/RTXF	K-2311
3	16628	SNAP RING		1		K-1800
4	5566507-BOX	BEARING	5566504,5566507	1		K-1870,K-1971,K-3694
5	16138	BEARING RETAINER		1		
6	X-8-645	CAPSCREW	X 8 612	6	3/8"-16X1"	
7	17453	-O- RING		2		K-1870,K-1971,K-2311,K-3694
9	K-2311	REPL KIT-DRIVE GEAR	19275 ,4300466	1		



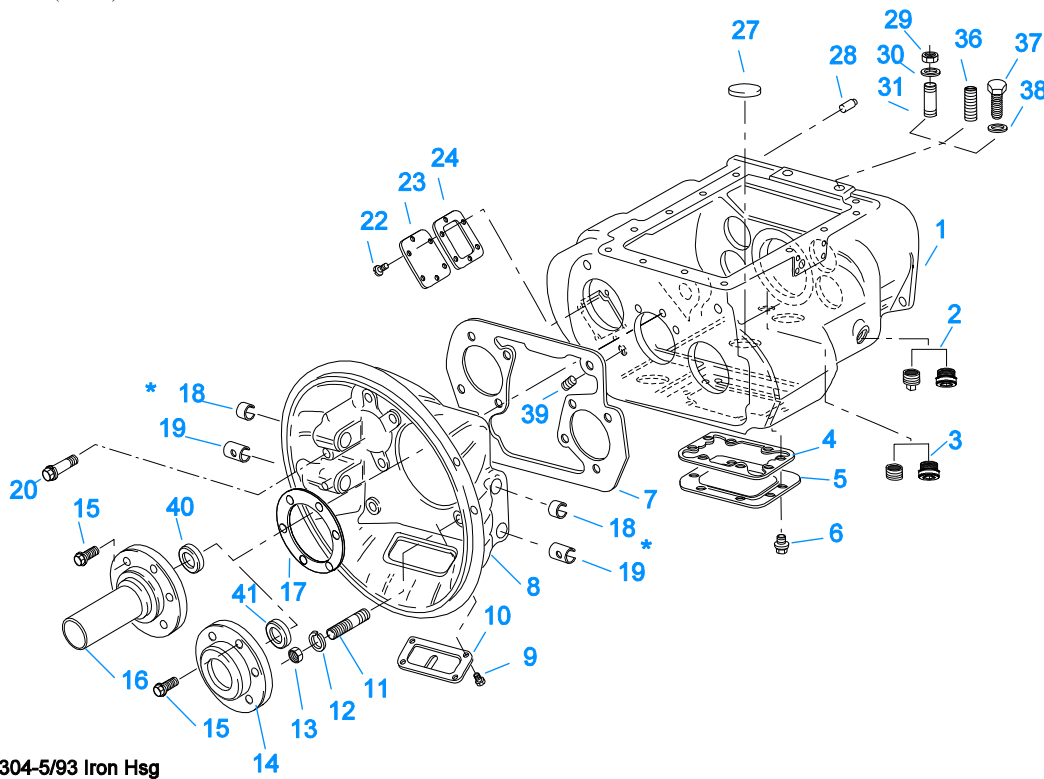
10408-5-94 Aux Case

**CASE (AUX)**

Item	Current Part	Description	Replaced Part	Qty.	Notes	Kits/Assys Where Needed
1	K-3651	OIL SEAL TOOL KIT		1		
2	K-2262	OIL SEAL W/SLINGER	19109 20807 ,20808	1	"FOR MECHANICAL COVER"	
3	K-2262	OIL SEAL W/SLINGER	19109 20807 ,20808	1	"FOR MECHANICAL COVER"	
4	X-8L-611	CAPSCREW		5	3/8"-16X3-1/4"	
5	X-8-611	CAPSCREW		1	3/8"-16X3-1/4"	
6	17106	GASKET		1		K-2199,K-2256,K-2262,S-2119,S-2149,S-2151
7	19709	COLLAR		1		K-2199,K-2256,K-2262,S-2119,S-2149,S-2151
8	K-1939	NO LONGER AVAILABLE	20813	1	MECHANICAL ONLY	
8	S-2119	REAR BRG COVER ASSY	20048 ,22045 ,4302009 ,4302031 ,S - 1558 S - 1560	1	EXTENDED	
8	S-2151	REAR BRG COVER ASSY	S - 1429	1		
10	15532	GASKET		1		K-2199,K-2256,K-2262,S-2119,S-2149,S-2151
11	20224	PLUG-MAGNETIC		2		S-1391,S-2119,S-2149,S-2151
12	13679	-O- RING		1	USE W/OEM SUPPLIED ADJUSTABLE SPEEDOMETER SENSOR NOT TO BE USED WITH 4301954 SEAL	



Item	Current Part	Description	Replaced Part	Qty.	Notes	Kits/Assys Where Needed
12	20225	-O- RING		2	USE W/20224 PLUG OR OEM SUPPLIED NON-ADJUSTABLE SPEEDOMETER SENSOR NOT TO BE USED WITH 4301954 SEAL O-RING NOT REQUIRED	
12	4301954	SENSOR SEAL		1		S-2119,S-2149,S-2151
13	20226	PLUG-MECHANICAL	2237	1		S-1391,S-2119,S-2149,S-2151
14	14142	-O- RING		1		S-1391,S-2119,S-2149,S-2151
15	7992	BUSHING		1		S-2119,S-2149,S-2151
16	X-8L-602	CAPSCREW		8	3/8"-16X1-1/2"	
18	20815	LIFTING EYE	17105	2		
19	16770	REAR BEARING COVER		2		
20	16784	GASKET		2		K-2199
21	X-8L-602	CAPSCREW		16	3/8"-16X1-1/2"	
21	X-8L-605	CAPSCREW		1	3/8"-16X3"	
21	X-8L-614	CAPSCREW		2	3/8"-16X2"	
22	19727	HOSE CLAMP		1		
23	S-1347	REAR HOUSING ASSY	17548 ,18736 ,18757 ,18784 ,19100	1		
24	14335	GASKET		1		K-2199,S-1391



**10304-5/93 Iron Hsg**

\* Bushing quantity requirements: #1 Housing – Upper bore use 4 #12815 / Lower bore use 2 #8677.

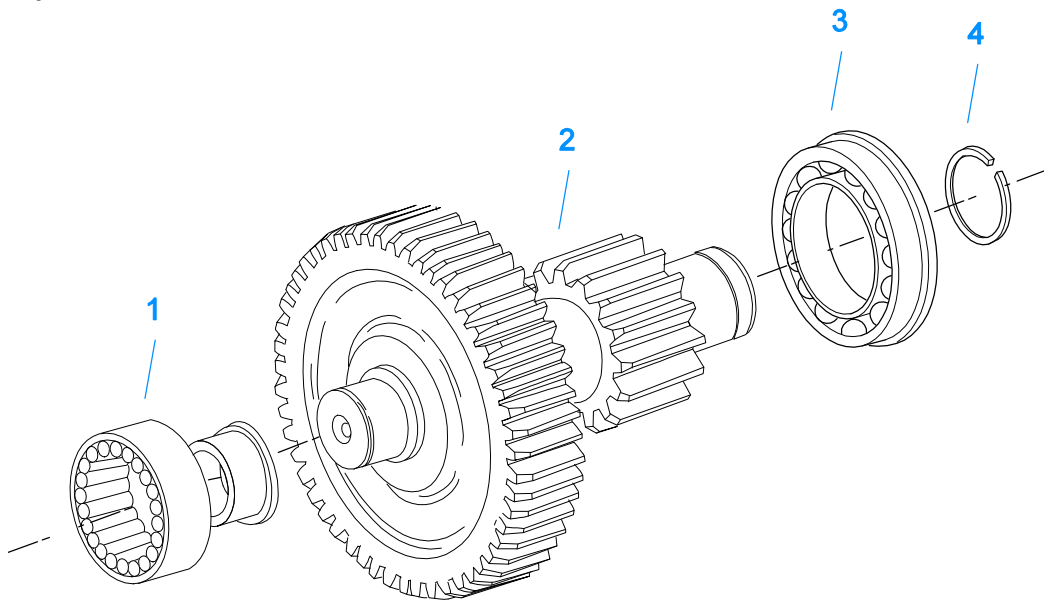
#2 Housing – Upper bore use 2 #12815 and 1 #8677 / Lower bore use 2 #8677.

**Note: Some part requirements are specific to #1 or #2 Clutch Housings and Push or Pull type Clutch.**

**CASE (FRONT)**

Item	Current Part	Description	Replaced Part	Qty.	Notes	Kits/Assys Where Needed
1	S-1318	CASE ASSY	15390	1		
1	S-1519	CASE ASSY	20500	1	FOR USE W/INTEGRAL PUMP	
2	4304023	PLUG	4303747	1	1-1/16" MAGNETIC, O-RING INCLUDED	S-1318,S-1519
2	X-12-2007	PIPE PLUG	X12 2006	1		
3	4304023	PLUG	4303747	1	1-1/16" MAGNETIC, O-RING INCLUDED	S-1318,S-1519
3	X-12-1207	PIPE PLUG	X12 1202 X12 1206	1	3/4" MAGNETIC	
4	4305310	GASKET	4302810	1		K-2199
5	4302809	PTO COVER	16596 ,4300571	1		
6	X-8-725	CAPSCREW	X 8 724	8	7/16"-14X7/8"	
7	4306584	CLUTCH HOUSING GASKET	4304815,4305668	1		K-2199
8	A-3713	CLUTCH HOUSING ASSY	A - 3700	1	#1 PUSH-PULL IRON	
8	A-3723	CLUTCH HOUSING ASSY	A - 3721 ,A - 3722	1	#2 PUSH-PULL IRON	
8	A-4772	CLUTCH HOUSING ASSY	A - 4344 ,A - 4771	1	#2 PUSH-PULL ALUM.	
8	A-5728	CLUTCH HOUSING ASSY	4300259 ,A - 4342	1	#1 PULL ALUMINUM, A,P & R RATIO	
8	A-5992	CLUTCH HOUSING ASSY	4301103	1	#1 PULL ALUMINUM, B RATIO	
9	239614	SCREW	X-8L-509	4	5/16-18X.81 QUANTITY DEPENDENT ON DESIGN	
10	14506	HAND HOLE COVER		1	#2 PUSH	
10	14507	HAND HOLE COVER		1	#2 PULL	
10	4305230	HAND HOLE COVER	11453	1	#1 PULL	
10	4305231	HAND HOLE COVER	1565	1	#1 PUSH	
11	4306583	STUD	5966	6		
12	X-10-1005	WASHER	X 3 1000 ,X10 1000 ,X10 1004	6	1.23 X 6.60	
13	X-1-1012	HEX NUT		6	.625-18	
14	15111	FRONT BRG. COVER		1	2" PULL	
14	18699	FRONT BRG. COVER		1	1-3/4" & 2" PULL W/SEAL	
14	20550	FRONT BRG COVER		1	2" PULL	K-1971,K-2468,K-

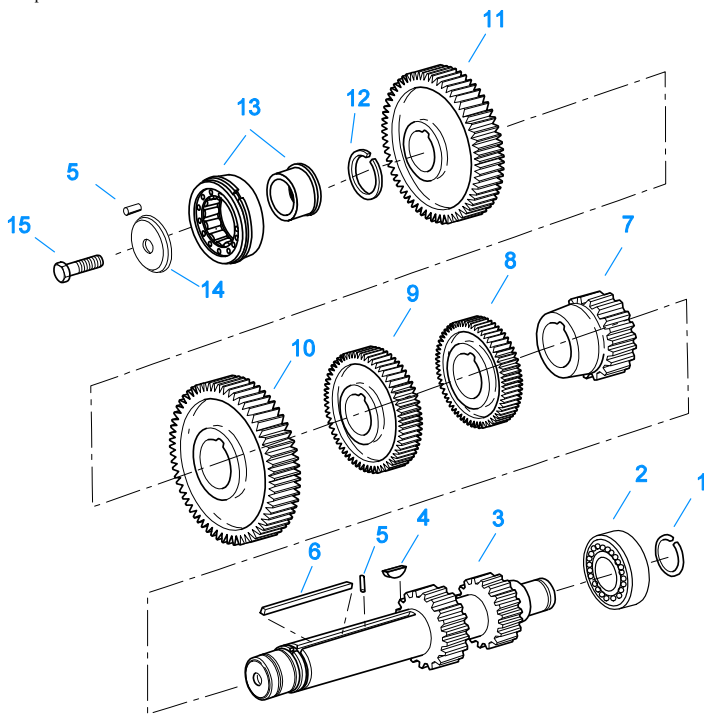
Item	Current Part	Description	Replaced Part	Qty.	Notes	Kits/Assys Where Needed
15	X-8L-604	CAPSCREW		6	3/8"-16X1-1/4"	3694,K-4125
16	14994	FRONT BRG. COVER		1	2" PUSH	
16	15113	FRONT BRG. COVER		1	1-3/4" & 2" PUSH W/SEAL	
16	20549	FRONT BRG COVER		1	2" PUSH	
17	14311	GASKET		1		K-2199
18	12815	BUSHING		2	FOR #2 HOUSING - UPPER	A-3713,A-3723,A-4772,A-5728,A-5992,K-2468,K-3694
18	12815	BUSHING		4	FOR #1 HOUSING - UPPER	A-3713,A-3723,A-4772,A-5728,A-5992,K-2468,K-3694
18	8677	BUSHING		1	FOR #2 HOUSING - UPPER	A-3713,A-3723,A-4772
19	8677	BUSHING		3	FOR #1 AND #2 HOUSING - LOWER	A-3713,A-3723,A-4772
20	X-8C-830	HEX HEAD SCREW/WASHER ASSY	X-8C-826	2	.500-13 X 1.490, USE 2 PCS FOR IRON HOUSING, USE 4 PCS FOR ALUMINUM HOUSING	
20	X-8C-831	HEX HEAD SCREW/WASHER ASSY		2	.500-13 X 3.460, FOR IRON HOUSING	
22	X-8-686	CAPSCREW		6	3/8"-16X3/4"	
23	14575	PTO COVER	4302254	1		
24	4305309	GASKET	1684	1		K-2199
27	14373	MAGNET		3		K-3694,S-1318,S-1519
28	18128	PIN		2		
29	X-1-1012	HEX NUT		2	.625-18	
30	X-10-1005	WASHER	X 3 1000 ,X10 1000 ,X10 1004	2	1.23 X 6.60	
31	14554	STUD	1632 ,6579	2	5/8" X 2-3/16"	
36	23104	PLUG	1712	2		
37	X-8-1005	CAPSCREW		2	5/8"-11X1-1/4"	
38	20814	SPACER		2		
39	X-12-802	PIPE PLUG	X12 800	1	1/2"	
40	12581	OIL SEAL		1	USE W/15113 COVER ONLY	
41	16977	SEAL		1	2"	



10442-4/92 Aux CS

**COUNTERSHAFT & BRGS(AUX)**

Item	Current Part	Description	Replaced Part	Qty.	Notes	Kits/Assys Where Needed
1	8879	BEARING		2		K-1870,K-1971,K-3694,S-1391
2	A-4728	WELDED COUNTERSHAFT ASSY		2	C/S 19666 - D/G 19276	
3	81012	BEARING		2		K-1870,K-1971,K-3694
4	11364	SNAP RING		2		K-1800,K-1870,K-1971,K-3694

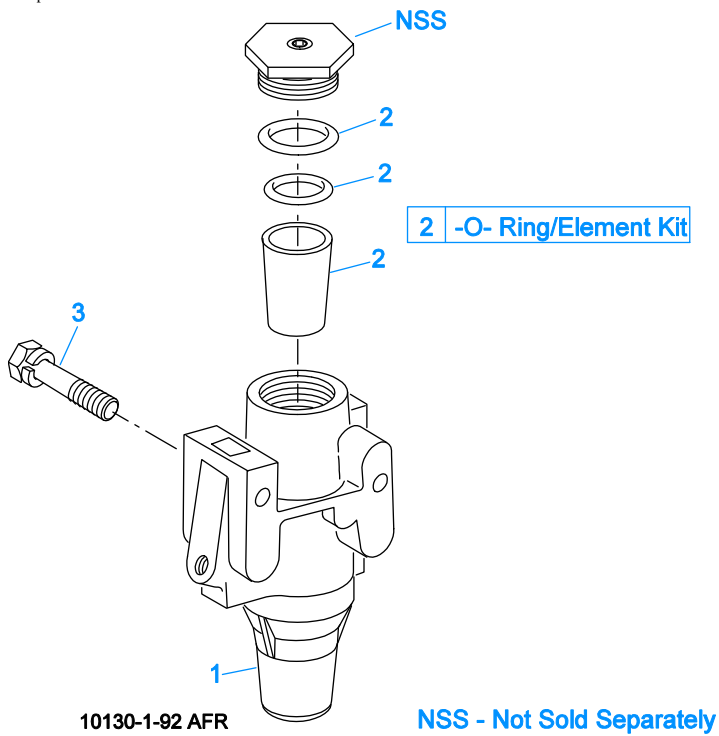


10341-1/92 CS/RT

## COUNTERSHAFT ASSY

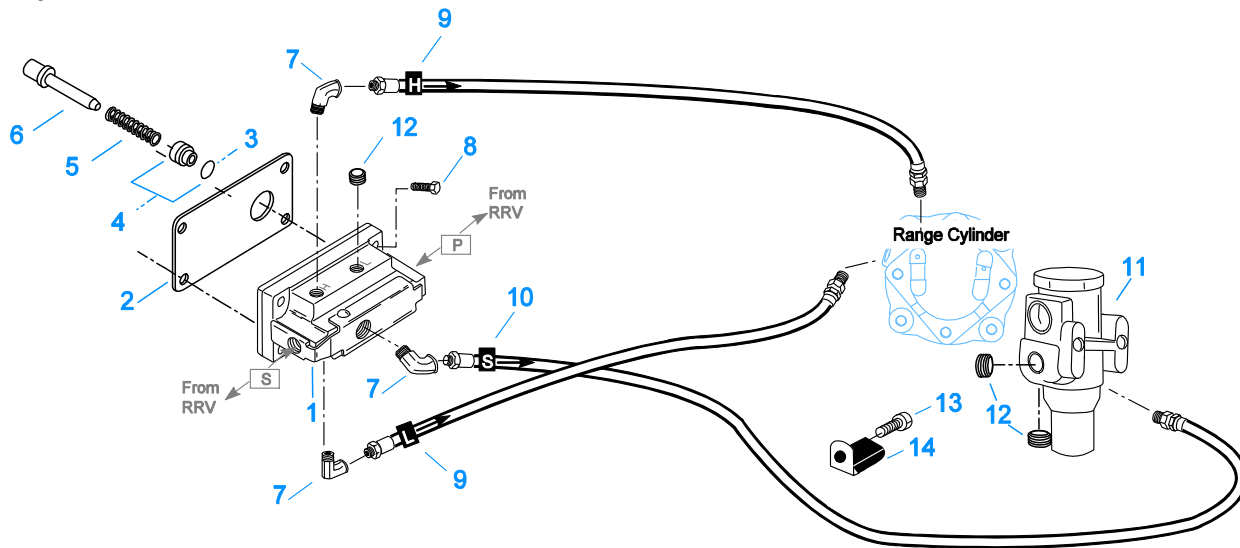
Item	Current Part	Description	Replaced Part	Qty.	Notes	Kits/Assys Where Needed
1	14317	SNAP RING		2		K-1800,K-1870,K-1971,K-3694
2	14366	BEARING		2		K-1870,K-1971,K-3694
3	K-2934	CNTRSHFT-W/REV & LO	19549	2		
4	X-6-E	KEY		2		
5	62511	ROLL PIN		4		
6	4304840	KEY	19673	2		
7	21025	1ST GEAR-CNTRSHFT	19629	2		
8	21264	2ND GEAR-CNTRSHFT	19623	2		
9	4300191	OD GEAR-CNTRSHFT	4300191,4305071	2		K-3694
10	15953	PTO GEAR - LOWER		1		
10	20840	PTO GEAR - UPPER	15952	1		
11	4305665	DRIVE GEAR-CNTRSHFT	21018,4305069	2		K-3694
12	19198	SNAP RING		2		
13	4304599	BEARING	4302677 4304598	2		K-1870,K-1971,K-3694
14	4304605	RETAINER	19548	2	ROLL PIN NO LONGER REQUIRED	
15	X-7-1005	CAPSCREW		2	5/8"-18X1-3/4"	

Group: FILTER REGULATOR



## FILTER REGULATOR

Item	Current Part	Description	Replaced Part	Qty.	Notes	Kits/Assys Where Needed
1	A-4740	FILTER/REGULATOR	19600	1		K-3694
2	K-1698	-O- RING/ELEMENT KIT		1	FOR FILTER REGULATOR	
3	X-8C-412	CAPSCREW	X 8S 412	2	1/4"-20X2-1/4"	

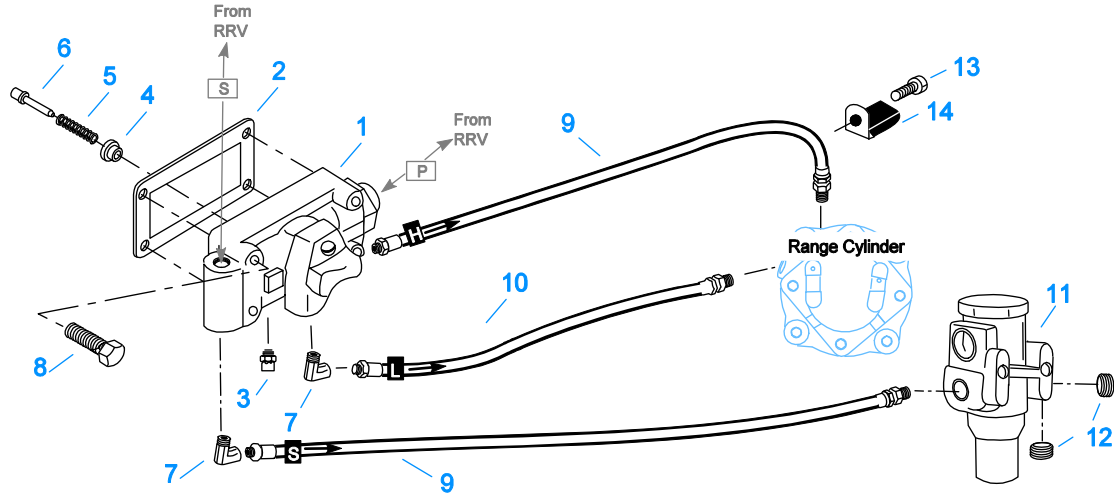


10111D-5/93 19470 HC

### H & C W/19470 VALVE

Item	Current Part	Description	Replaced Part	Qty.	Notes	Kits/Assys Where Needed
1	K-2424	VALVE REPLACEMENT KIT	19470	1		
2	19481	GASKET		1		K-1963,K-2199,K-2424
3	19462	-O- RING	14033	1		A-4688,K-1699,K-1969,K-3694
4	K-1969	SLEEVE KIT	14362 19460 ,21446	1	FOR SLAVE VALVES	K-1963
5	21268	SPRING	19572	1		K-1963
6	20490	PIN	19459	1		K-1963
7	12845	ELBOW		3	1/8"	K-1963,K-3694
8	X-8C-401	CAPSCREW		4	1/4"-20X1-1/8"	
9	55523	HOSE ASSY		2	29"	K-3694
10	55524	HOSE ASSY		1	27"	K-3694
11	A-4740	FILTER/REGULATOR	19600	1		K-3694
12	X-12-208	PIPE PLUG		3	1/8" NPT	
13	X-8L-601	CAPSCREW		1	3/8"-16X3/4"	
14	19779	HOSE CLAMP		1		K-3694

Group: H & C W/A-4688 VALVE



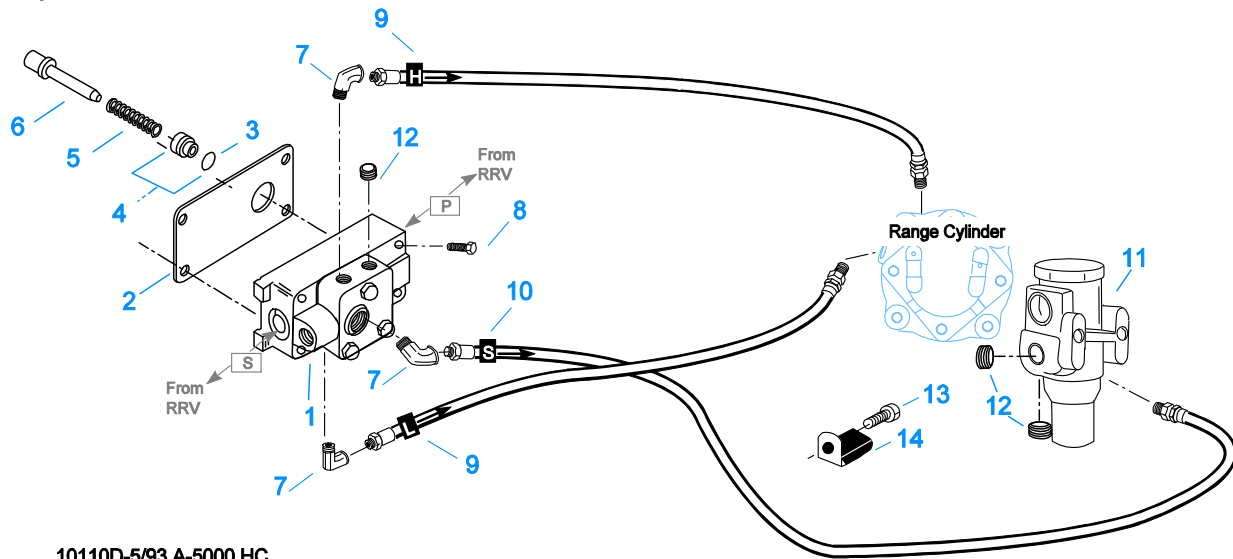
10112-5/93 A-4688 HC

### H & C W/A-4688 VALVE

Item	Current Part	Description	Replaced Part	Qty.	Notes	Kits/Assys Where Needed
1	A-4688	SLAVE VALVE ASSY	15125 ,19464 ,A - 3991	1		
2	15758	GASKET		1		K-1699,K-2199
3	X2014210	BREATHER	7935	1		
4	K-1969	SLEEVE KIT	14362 19460 ,21446	1	FOR SLAVE VALVES	K-1963
5	6392	SPRING		1		S-1219,S-1527
6	14361	PIN		1		
7	12845	ELBOW		2	1/8"	K-1963,K-3694
8	X-8L-411	CAPSCREW	X 8 411	4	1/4"-20X1-3/4"	
9	55523	HOSE ASSY		2	29"	K-3694
10	55518	HOSE ASSY		1	32"	
11	A-4740	FILTER/REGULATOR	19600	1		K-3694
12	X-12-208	PIPE PLUG		2	1/8" NPT	
13	X-8L-601	CAPSCREW		1	3/8"-16X3/4"	
14	19779	HOSE CLAMP		1		K-3694



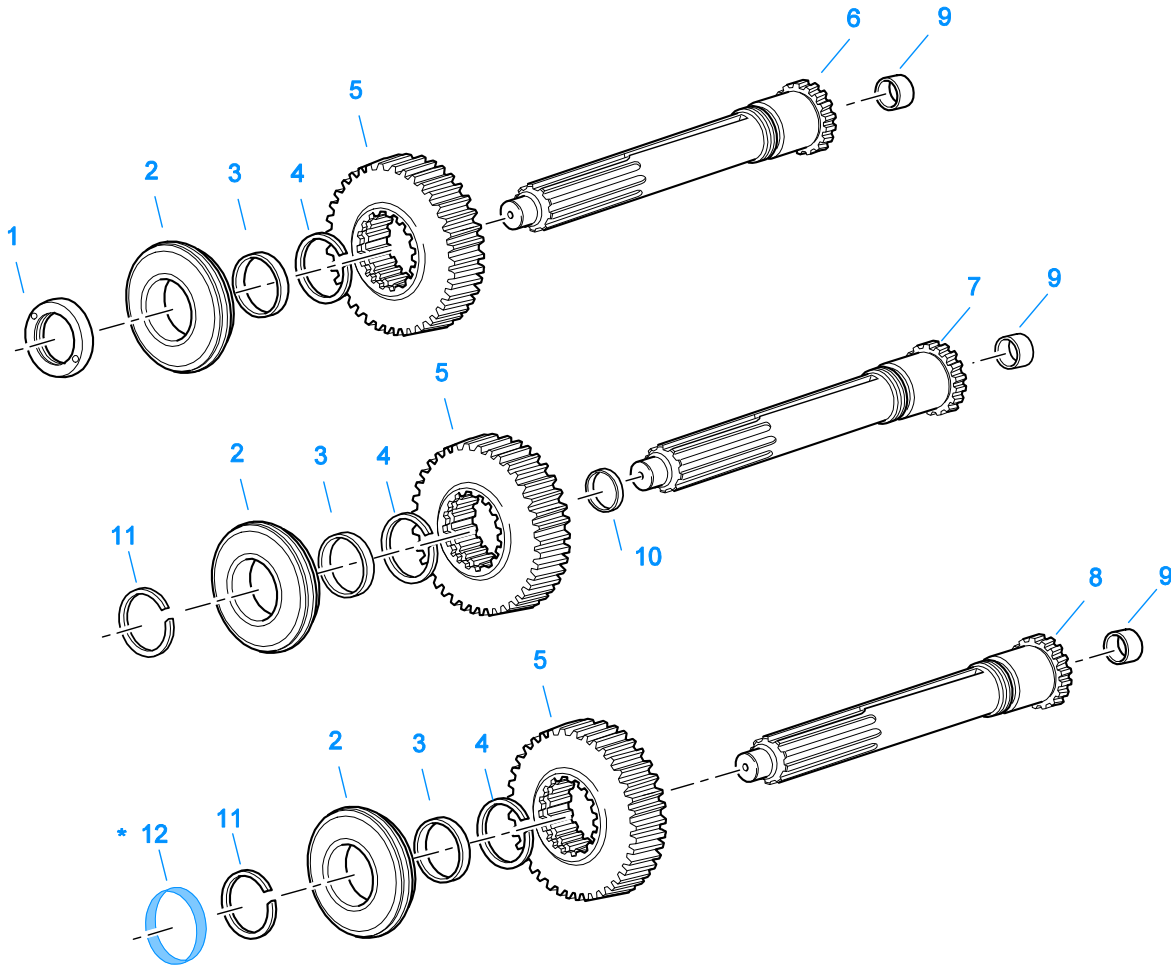
Group: H & C W/A-5000 VALVE



10110D-5/93 A-5000 HC

### H & C W/A-5000 VALVE

Item	Current Part	Description	Replaced Part	Qty.	Notes	Kits/Assys Where Needed
1	A-5000	SLAVE VALVE ASSY	20850	1		K-1963,K-2424,K-3694
2	19481	GASKET		1		K-1963,K-2199,K-2424
3	19462	-O- RING	14033	1		A-4688,K-1699,K-1969,K-3694
4	K-1969	SLEEVE KIT	14362 19460 ,21446	1	FOR SLAVE VALVES	K-1963
5	21268	SPRING	19572	1		K-1963
6	20490	PIN	19459	1		K-1963
7	12845	ELBOW		3	1/8"	K-1963,K-3694
8	X-8C-411	CAPSCREW		4	1/4"-20X1-3/4"	
9	55523	HOSE ASSY		2	29"	K-3694
10	55524	HOSE ASSY		1	27"	K-3694
11	A-4740	FILTER/REGULATOR	19600	1		K-3694
12	X-12-208	PIPE PLUG		3	1/8" NPT	
13	X-8L-601	CAPSCREW		1	3/8"-16X3/4"	
14	19779	HOSE CLAMP		1		K-3694



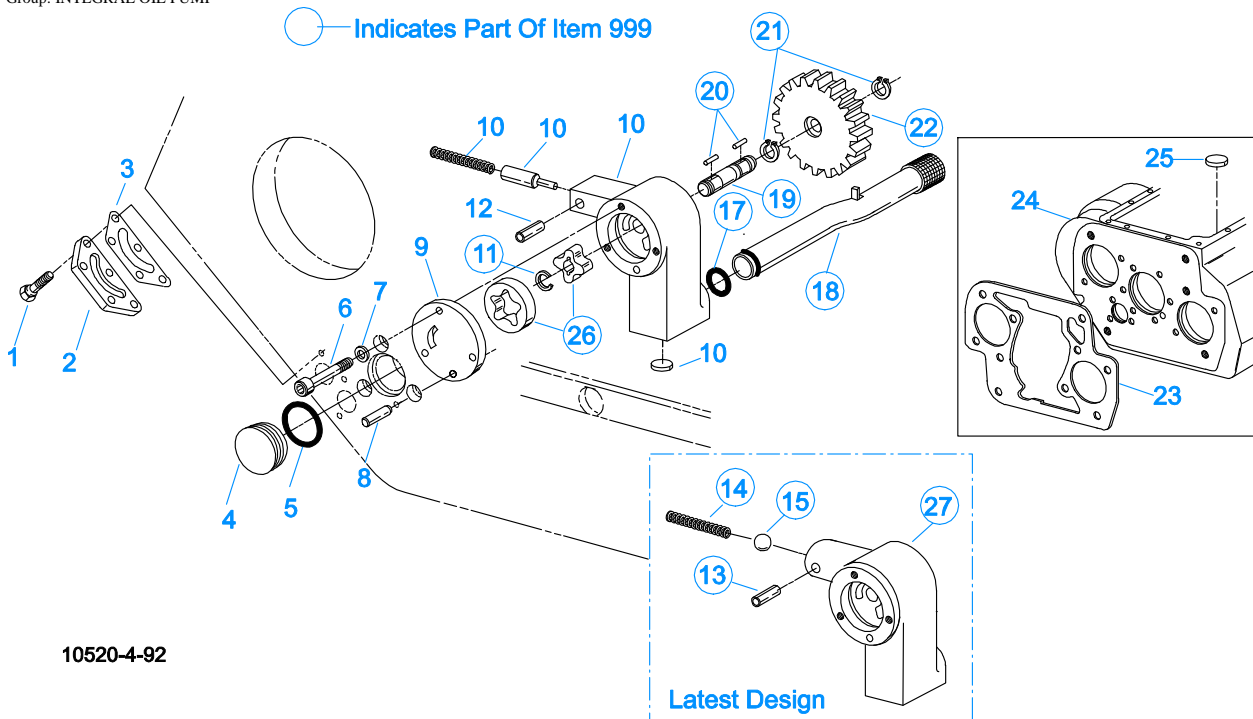
10372-5/93 IS (3)

\* For Shipping Only -- Do Not Replace

## INPUT SHAFT & DRIVE GEAR

Item	Current Part	Description	Replaced Part	Qty.	Notes	Kits/Assys Where Needed
1	11466	NUT		1	USE W/19716 SHAFT	
1	8858	NUT		1	PUSH	
1	8997	NUT		1	PULL	
2	81504	BEARING		1		K-1870,K-1971,K-2468,K-3694,K-4125
3	16463	SPACER		1		
4	14750	SNAP RING		1		K-1800,K-1870,K-1971,K-2468,K-3694,K-4125
5	19239	MAIN DRIVE GEAR	21019 ,4302458	1	USE W/16118 SL CLUTCH AND 14749 SPACER	
5	22961	MAIN DRIVE GEAR	22959	1	USE W/22026 SL CLUTCH AND 22032 SPACER	K-3694
6	S-1128	INPUT SHAFT	16465	1	2" PULL - USE W/FBC 15111	
6	S-1129	INPUT SHAFT	16466	1	2" PUSH - USE W/FBC 14994	
7	S-1409	INPUT SHAFT	18837	1	2" PULL W/SEAL - USE W/FBC 18699	
8	S-1659	INPUT SHAFT	20535 23566 4302661	1	2" PULL - USE W/FBC 20550	K-1971,K-2468,K-4125
8	S-1660	INPUT SHAFT	23567	1	2" PUSH - USE W/FBC 20549	
9	16566	BUSHING		1		K-1870,S-1128,S-1129,S-1409,S-1659,S-1660
10	16978	SLEEVE		1	2" W/SEAL	S-1409

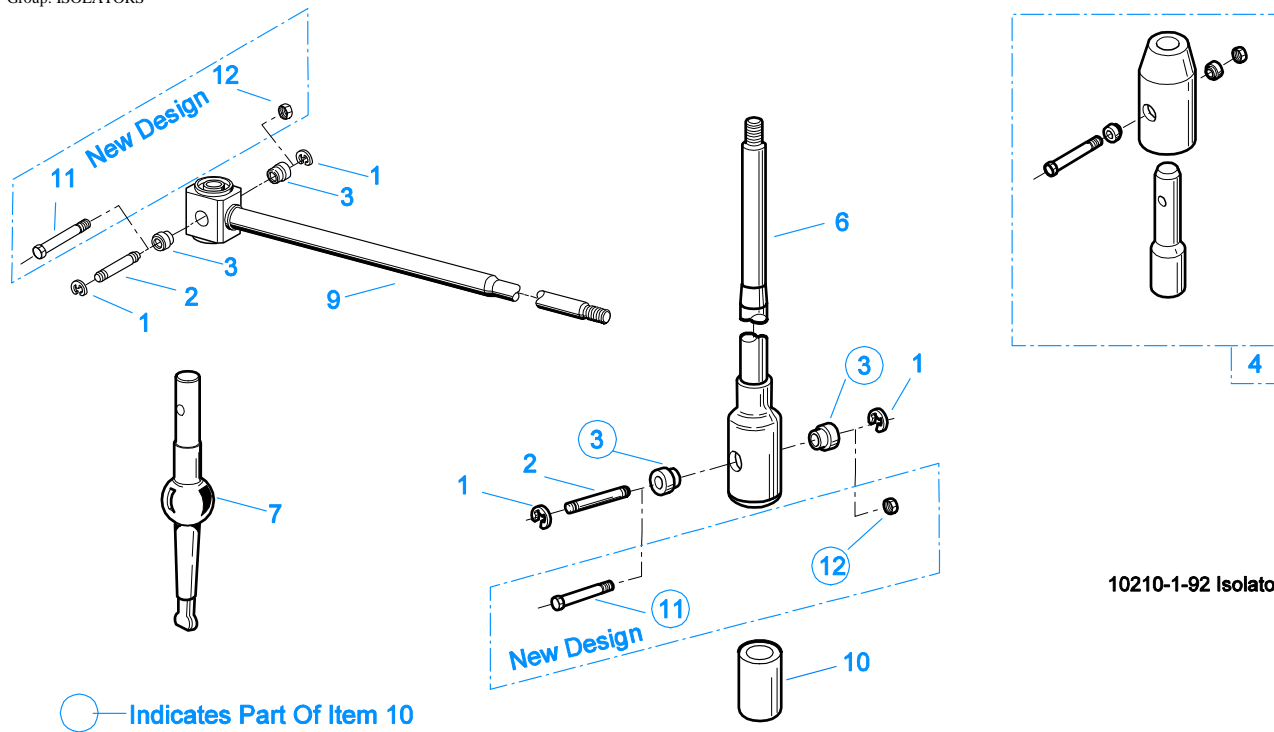
Item	Current Part	Description	Replaced Part	Qty.	Notes	Kits/Assys Where Needed
11	16980	SNAP RING		1		K-1971,K-2468,K-3694,K-4125
12	23559	SHIPPING SEAL		1	NOT SOLD FOR SERVICE	



## INTEGRAL OIL PUMP

Item	Current Part	Description	Replaced Part	Qty.	Notes	Kits/Assys Where Needed
1	X-8C-409	CAPSCREW		5	1/4"-20X5/8" - USE WITH 4300751 COVER	
1	X-8C-430	CAPSCREW		5	1/4"-20X7/8" - USE WITH 20513 COVER	
2	K-2402	COVER & SCREW KIT	20513 ,4300751	1		K-2402
3	20514	GASKET		1		
4	20823	PLUG		1		
5	14765	-O- RING		1		K-1431,K-1450
6	X-8-448	SCREW	X 8 445	3	1/4"-20X1-1/4"	
7	20824	WASHER		3		K-3367
8	20825	DOWEL PIN		1		
9	4303107	RETAINER	20510	1		S-1519
10	K-3367	OIL PUMP KIT	4301829 ,4301948 ,4303776 ,4304529 ,4304572 A - 6963 ,A - 7173	1		
11	20518	CRESCENT RING		1		
12	62516	ROLL PIN	62521	1		
13	62514	ROLL PIN		1		
14	K-3367	OIL PUMP KIT	4301829 ,4301948 ,4303776 ,4304529 ,4304572 A - 6963 ,A - 7173	1		
15	X-14-700	STEEL BALL		1	7/16"	
17	20225	-O- RING		1		
18	4305713	SUCTION TUBE	4304628	1	O-RING INCLUDED ON SUCTION TUBE	K-3367
19	20508	DRIVE SHAFT		1		
20	20509	KEY		2		
21	14853	SNAP RING		2		
22	20511	DRIVE GEAR		1		
23	4306584	CLUTCH HOUSING GASKET	4304815,4305668	1		K-2199
24	S-1519	CASE ASSY	20500	1	FOR USE W/INTEGRAL PUMP	
25	14373	MAGNET		3		K-3694,S-1318,S-1519
26	20507	ELEMENT		1		
27	K-3367	OIL PUMP KIT	4301829 ,4301948 ,4303776 ,4304529 ,4304572 A - 6963 ,A -	1		

Item	Current Part	Description	Replaced Part	Qty.	Notes	Kits/Assys Where Needed
999	K-3367	OIL PUMP KIT	7173 4301829 ,4301948 .4303776 ,4304529 .4304572 A - 6963 ,A - 7173	1		



10210-1-92 Isolator

## ISOLATORS

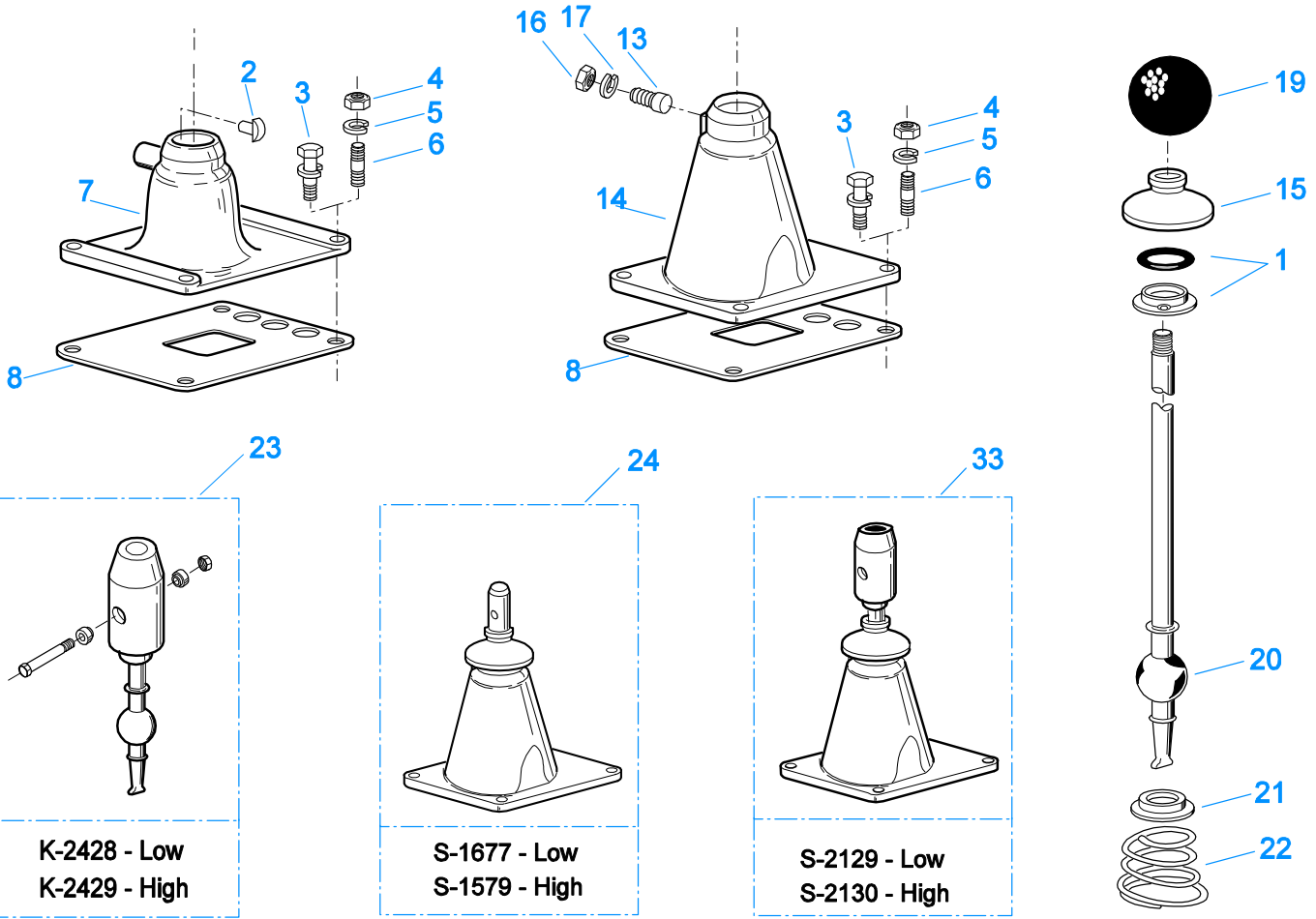
Item	Current Part	Description	Replaced Part	Qty.	Notes	Kits/Assys Where Needed
1	19124	-E- RING		2		
2	K-3467	PIN REPLACEMENT KIT	21245	1		
3	21246	BUSHING		2		K-2003,K-2428,K-2429,K-3399,S-2129,S-2130
4	S-1794	ISOLATOR ASSY		1		
6	21247	LEVER		1	STRAIGHT 18.67"	
7	21235	STUB LEVER		1	LOW TOWER	K-2428,S-1677
7	21236	STUB LEVER		1	HIGH TOWER	K-2429,S-1579,S-2130
9	21767	90 DEG LEVER		1	STRAIGHT 33"	
10	K-3399	ISOLATOR BUSHING KIT	21244 ,23311	1		
11	X-8-560	SCREW		1		
12	X-9-503	NUT		1		

## KITS & ASSEMBLIES

Item	Current Part	Description	Replaced Part	Qty.	Notes	Kits/Assys Where Needed
K-1431		RANGE CYL-KIT		1		
K-1450		-O- RING KIT-RANGE		1		K-1870,K-1971
K-1476		SHIFT LEVER HSG	4530 ,17163 ,18298 ,4304905 ,A - 4437	1	LOW TOWER	
K-1566		VALVE REPAIR KIT		1	FOR A-3546 VALVE	
K-1613		CAP REPLACEMENT KIT	16429 ,18707	1	FOR A-4688 VALVE	
K-1698		-O- RING/ELEMENT KIT		1	FOR FILTER REGULATOR	
K-1699		REPAIR KIT-SLAVE VALVE		1	FOR A-4688 VALVE	
K-1702		OIL COOLER KIT		1		
K-1706		PUMP INSTALLATION KIT		1		
K-1711		COLLAR KIT	19404	1		
K-1800		SMALL PARTS KIT		1		
K-1870		BASIC REBUILD KIT		1		
K-1921		MASTER VALVE REPAIR KIT		1	FOR A-6909 & A-5010 VALVES	
K-1935		REPAIR KIT-SLAVE VALVE		1	FOR A-5000 VALVE	
K-1956		COOLER INSTLN KIT		1		
K-1963		VALVE CONVERSION KIT		1	CONVERTS A-4688 TO A-5000 VALVE	
K-1969		SLEEVE KIT	14362 19460 ,21446	1	FOR SLAVE VALVES	K-1963
K-1971		BASIC OVERHAUL KIT		1		
K-2003		PIN & BUSHING KIT		1		
K-2010		VALVE CONVERSION KIT		1	FOR A-5010 VALVE	
K-2199		GASKET KIT		1		K-1870,K-1971
K-2256		OIL SEAL KIT	14337 ,19109 ,21036	1		
K-2262		OIL SEAL W/SLINGER	19109 20807 ,20808	1	"FOR MECHANICAL COVER"	
K-2311		REPL KIT-DRIVE GEAR	19275 ,4300466	1		
K-2394		AIR SYSTEMS TOOL KIT		1		
K-2402		COVER & SCREW KIT	20513 ,4300751	1		
K-2424		VALVE REPLACEMENT KIT	19470	1		
K-2428		LEVER REPLACEMENT KIT		1	LOW TOWER	
K-2429		LEVER REPLACEMENT KIT		1	HIGH TOWER	
K-2439		KEY & WASHER KIT		1	CONTAINS 3-SIDED KEY	
K-2468		CLUTCH INSTALLATION KIT		1	FOR USE WITH S-1659 INPUT SHAFT ASSY AND 81504 INPUT SHAFT BEARING	
K-2934		COUNTERSHAFT REPL KIT	19549	1		
K-2973		SHIFT LEVER HSG KIT	17166 ,17167 ,4303050 ,4304910 ,K - 1630 K - 1941	1	HIGH TOWER	
K-3157		WASHER UPDATE KIT		1		
K-3217		IDLER SHAFT REPL KIT	4302981	1		
K-3367		OIL PUMP KIT	4301829 ,4301948 ,4303776 ,4304529 ,4304572 A - 6963 ,A - 7173	1		
K-3399		ISOLATOR BUSHING KIT	21244 ,23311	1		
K-3467		PIN REPLACEMENT KIT	21245	1		
K-3491		SYNCHRONIZER KIT	K - 2445	1	LO RANGE / SMALL PIN	
K-3492		SYNCHRONIZER KIT	K - 2446	1	LO RANGE / LARGE PIN	
K-3494		SYNCHRONIZER REPLACEMENT KIT	K - 2448	1	SLIDING CLUTCH INCLUDED IN KIT	
K-3651		OIL SEAL TOOL KIT		1		
K-3694		MASTER REBUILDER KIT		1	USE TO REBUILD RTX-14609B W/SELECTIVE WASHERS ONLY	
K-3783		COUNTERSHAFT REPL KIT	20804 ,22411, 4301054, K-2935	1	THRU-SHAFT PTO	
K-4125		CLUTCH INSTALLATION KIT (RT), HYDRAULIC RELEASE		1	STANDARD RT INPUT SHAFT AND YOKE FOR HYDRAULIC CLUTCH RELEASE	
S-1128		INPUT SHAFT	16465	1	2" PULL	

Item	Current Part	Description	Replaced Part	Qty.	Notes	Kits/Assys Where Needed
S-1129		INPUT SHAFT	16466	1	2" PUSH	
S-1219		YOKE ASSY LOW-REV		1		
S-1318		CASE ASSY	15390	1		
S-1341		MAINSHAFT ASSY	16761 ,18729	1		
S-1347		REAR HOUSING ASSY	17548 ,18736 ,18757 ,18784 ,19100	1		
S-1391		RANGE SECTION ASSY		1		
S-1404		OIL FILTER	17238	1		
S-1409		INPUT SHAFT	18837	1	2" PULL W/SEAL	
S-1445		SHIFT BAR HSG (X)	18920 ,20135 ,20214 ,20215 ,20487 21135 ,4302452	1	HOUSING ONLY (X)	
S-1516		CAP ASSY	20851 ,20853	1		
S-1519		CASE ASSY	20500	1	FOR USE W/INTEGRAL PUMP	
S-1527		SHIFT BAR HSG ASSY (X)	20215 ,21135 ,4302452	1	COMPLETE (X)	
S-1659		INPUT SHAFT	20535 23566 4302661	1	2" PULL - USE W/FBC 20550	K-1971,K-2468,K-4125
S-1660		INPUT SHAFT	20536 ,23567	1	2" PUSH - USE W/FBC 20549	
S-1794		ISOLATOR ASSY		1		
S-2119		REAR BRG COVER ASSY	20048 ,22045 ,4302009 ,4302031 ,S - 1558 S - 1560	1	EXTENDED	
S-2129		SHIFT LEVER HSG ASSY		1	LOW TOWER	
S-2130		SHIFT LEVER HSG ASSY	S - 2053	1	HIGH TOWER	
S-2149		REAR BRG COVER ASSY	20208 ,21062	1		
S-2151		REAR BRG COVER ASSY	S - 1429	1		
S-2540		ROADRANGER VALVE ASSY	A - 5037	1	RT - W/SHIFT DIAGRAM MEDALLION	
S-2541		ROADRANGER VALVE ASSY	A - 5040	1	RTO - W/SHIFT DIAGRAM MEDALLION	
S-2542		ROADRANGER VALVE ASSY	A - 5185	1	P & R RATIO (9 SPEEDS)-W/SHIFT MEDALLION	
S-2688		MAINSHAFT ASSY	4303404 4303913	1		K-3157



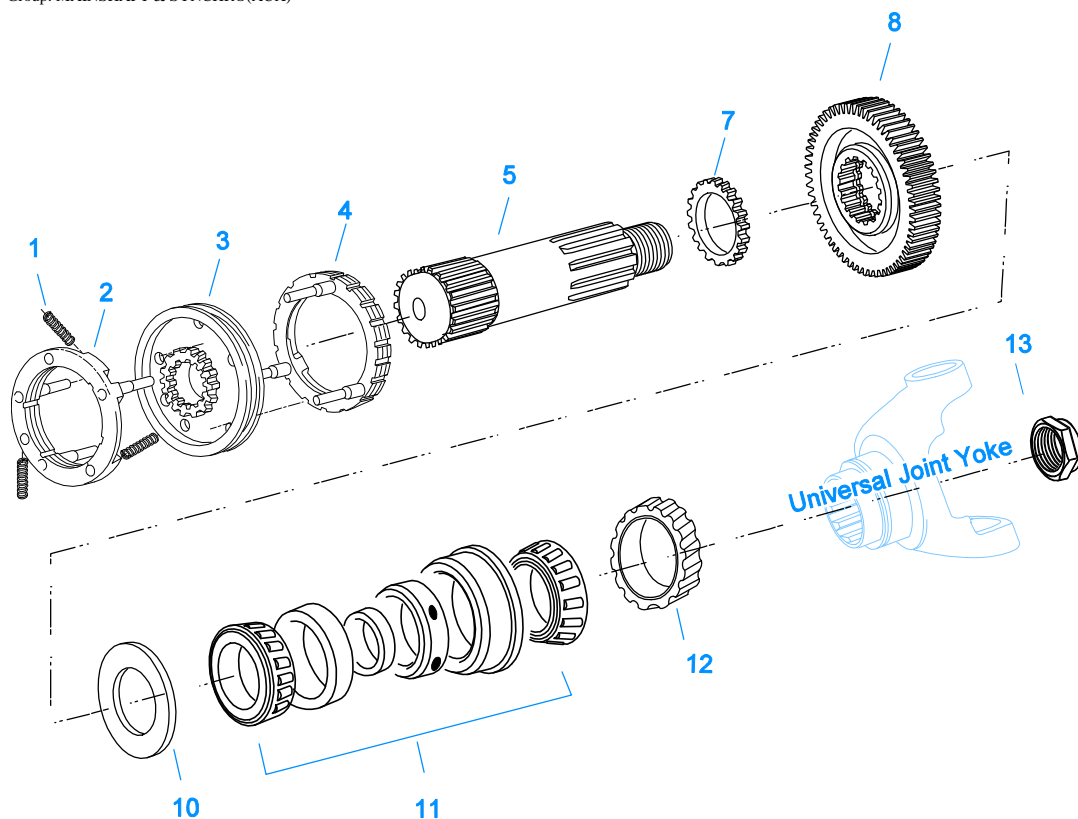


10200-10/92

## LEVERS/HOUSINGS

Item	Current Part	Description	Replaced Part	Qty.	Notes	Kits/Assys Where Needed
1	K-3376	O-RING & WASHER KIT	4301211	1		
2	18299	PIN		1		K-1476,S-1677
3	X-8C-604	CAPSCREW		4	3/8"-16X1-1/4"	S-1445,S-1527
4	X-1-600	NUT		4	3/8"-24-N.F.PLAIN	
5	X-3-600	LOCKWASHER		4	3/8"	
6	11934	STUD	7467	4		
7	K-1476	SHIFT LEVER HSG	4530 ,17163 ,18298 ,4304905 ,A - 4437	1	LOW TOWER	
8	4305294	GASKET	4303431	1		K-1476,K-1702,K-2199,K-2428,K-2429,K-2973,S-1527,S-1579,S-1677,S-2129,S-2130
13	6541	PIN		1	3/8"	
14	K-2973	SHIFT LEVER HSG KIT	17166 ,17167 ,4303050 ,4304910 ,K - 1630 K - 1941	1	HIGH TOWER	
15	10427	BOOT		1		K-1476,K-2973,S-1579,S-1677,S-2130
16	X-1-600	NUT		1	3/8"-24-N.F.PLAIN	
17	X-3-600	LOCKWASHER		1	3/8"	
19	17560	LEVER GRIP		1	1/2"-13	
20	17600	GEAR SHIFT LEVER		1	STRAIGHT - LOW 21-1/2"	
20	18482	GEAR SHIFT LEVER		1	STRAIGHT - HIGH 35"	
21	2538	RETAINER		1		K-1476,K-2973,S-1579,S-1677,S-2130
22	2536	SPRING		1		K-1476,K-2973,S-

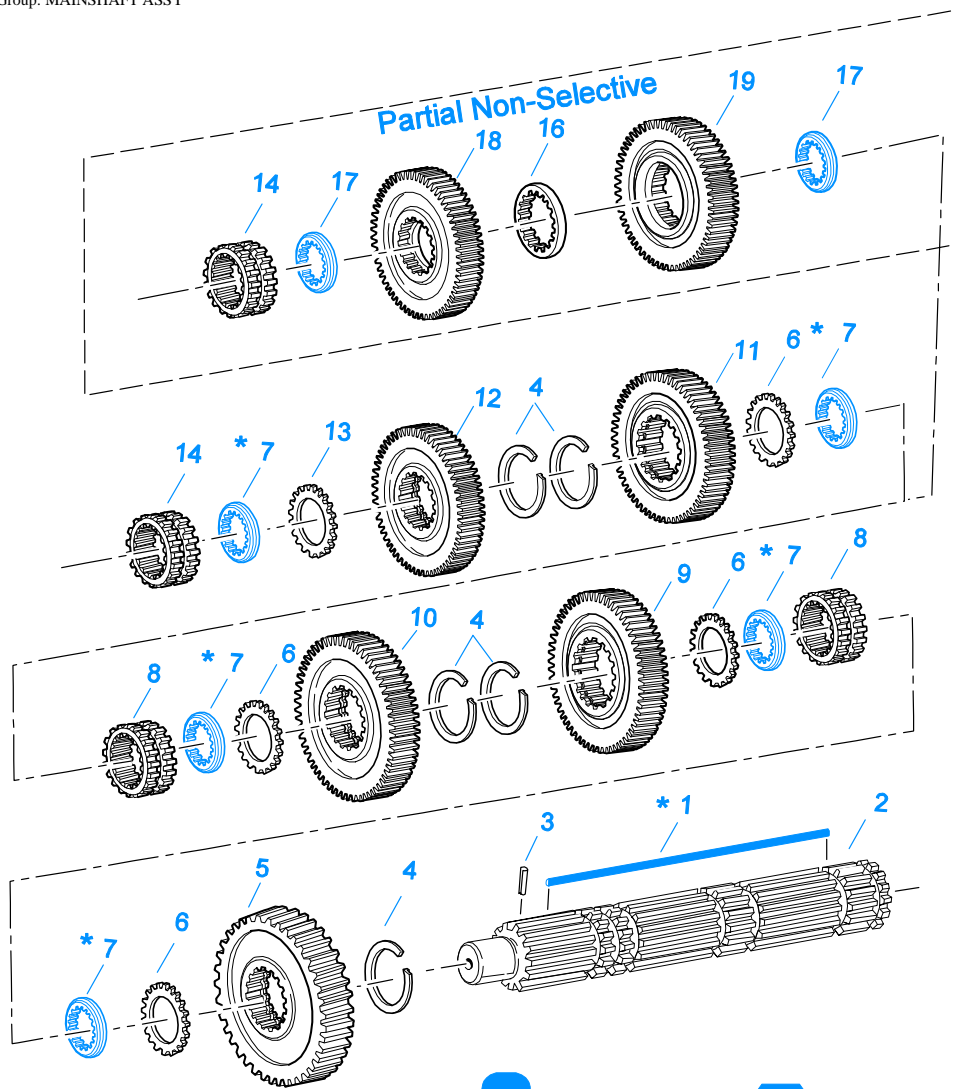
Item	Current Part	Description	Replaced Part	Qty.	Notes	Kits/Assys Where Needed
23	K-2428	LEVER REPLACEMENT KIT		1	LOW TOWER	1579,S-1677,S-2130
23	K-2429	LEVER REPLACEMENT KIT		1	HIGH TOWER	
24	S-1579	SHIFT TOWER ASSY		1	HIGH TOWER	
24	S-1677	SHIFT TOWER ASSY		1	LOW TOWER	
33	S-2129	SHIFT LEVER HSG ASSY		1	LOW TOWER	
33	S-2130	SHIFT LEVER HSG ASSY	S - 2053	1	HIGH TOWER	



10429-6-94 Aux MS

### MAINSHAFT & SYNCHRO(AUX)

Item	Current Part	Description	Replaced Part	Qty.	Notes	Kits/Assys Where Needed
1	14897	SPRING		3		K-1800,K-1870,K-1971,K-3491,K-3492,K-3494,K-3694
2	A-7331	SYNCHRONIZER ASSY	4304396 4304397 A - 5917	1	HI RANGE	K-3491,K-3492,K-3494
3	20323	SLIDING CLUTCH		1		K-3494,K-3694
4	A-6153	SYNCHRONIZER ASSY	A - 4416	1	LO RANGE - SMALL PIN	K-3491
4	A-7254	SYNCHRONIZER ASSEMBLY	A - 4937 A - 5876	1	LO RANGE	K-3492,K-3494,K-3694
5	19202	MAINSHAFT	4302460	1		
7	19203	SPACER		1		K-1800,K-3694
8	19667	REDUCTION GEAR		1		
10	16772	WASHER		1		K-1800,K-3694
11	15260	BEARING		1		K-1870,K-1971,K-3694
12	20191	ROTOR	16295	1		
13	22254	NUT	11956	1		K-3694,S-1391



10320A-3-94 MS w/ OD

 3-Sided Key Design

 Hex (6-Sided) Key Design

**\* Updating to 3-Sided Key is Recommended.**  
**When Updating to 3-Sided Key Replace all Washers to Match Key Design**  
**Always Use Matching Key and Washer Sets (See Appendix - Mainshaft Washers)**

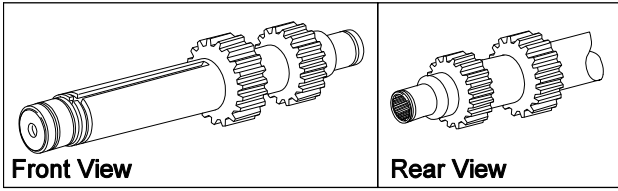
**MAINSHAFT ASSY**

Item	Current Part	Description	Replaced Part	Qty.	Notes	Kits/Assys Where Needed
1	17109	HEX (6-SIDED) KEY		1	MUST USE MATCHING WASHERS	
1	4304615	3-SIDED KEY	4300120	1		K-2439,K-3157
1	K-2439	KEY & WASHER KIT		1	CONTAINS 3-SIDED KEY	
2	S-1341	MAINSHAFT ASSY	16761 ,18729	1		K-3157
2	S-2688	MAINSHAFT ASSY	4303404 4303913	1		K-1800,K-1870,K-1971,K-2468,K-3694,K-4125
3	62504	ROLL PIN		1		
4	14750	SNAP RING		5		
5	16756	REVERSE GEAR- MAINSHAFT	22408	1		
6	14749	SPACER		4		K-1800
7	14711	WASHER .248-.250 WHITE	18701	5	OPTIONAL 14711-14716 USE ANY 5	K-1800

Item	Current Part	Description	Replaced Part	Qty.	Notes	Kits/Assys Where Needed
7	14712	WASHER .253-.255 GREEN	18702	5	WASHERS USE WITH 17109 KEY OPTIONAL 14711-14716 USE ANY 5	K-1800
7	14713	WASHER .258-.260 ORANGE	18703	5	WASHERS USE WITH 17109 KEY OPTIONAL 14711-14716 USE ANY 5	K-1800
7	14714	WASHER .263-.265 PURPLE	18704	5	WASHERS USE WITH 17109 KEY OPTIONAL 14711-14716 USE ANY 5	
7	14715	WASHER .268-.270 YELLOW	18705	5	WASHERS USE WITH 17109 KEY OPTIONAL 14711-14716 USE ANY 5	
7	14716	WASHER .273-.275 BLACK	18706	5	WASHERS USE WITH 17109 KEY OPTIONAL 14711-14716 USE ANY 5	
7	4300382	WASHER .249-WHITE		5		K-2439,K-3694
7	4300383	WASHER .254-GREEN		5	OPTIONAL 4300382-4300387 OR 4300830 USE ANY 5 WASHERS. USE WITH 3-SIDED KEY	K-2439,K-3694
7	4300384	WASHER .259-ORANGE		5	OPTIONAL 4300382-4300387 OR 4300830 USE ANY 5 WASHERS. USE WITH 3-SIDED KEY	K-2439,K-3694
7	4300385	WASHER .264-PURPLE		5	OPTIONAL 4300382-4300387 OR 4300830 USE ANY 5 WASHERS. USE WITH 3-SIDED KEY	
7	4300386	WASHER .269-YELLOW		5	OPTIONAL 4300382-4300387 OR 4300830 USE ANY 5 WASHERS. USE WITH 3-SIDED KEY	
7	4300387	WASHER .274-BLACK		5	OPTIONAL 4300382-4300387 OR 4300830 USE ANY 5 WASHERS. USE WITH 3-SIDED KEY	
7	4300830	WASHER .244-BLUE		5		K-2439,K-3694
8	16118	SLIDING CLUTCH		2		K-1971
9	16754	LO GEAR-MAINSHAFT		1		
10	21024	1ST GEAR-MAINSHAFT	19628	1		
11	19622	2ND GEAR-MAINSHAFT	21263 ,4300246	1		
12	21261	OD GEAR-MAINSHAFT	19638	1	USE W/16118 SL CLUTCH AND 14749 SPACER	
12	23102	OD GEAR-MAINSHAFT	22960 ,4300190	1	USE W/22026 SL CLUTCH AND 22032 SPACER	K-3694
13	14749	SPACER		1	USE W/16118 SL CLUTCH AND 21261 OD GEAR	K-1800
13	22032	SPACER		1	USE W/22026 SL CLUTCH AND 4300190 OD GEAR	
14	16118	SLIDING CLUTCH		1	USE W/14749 SPACER AND 21261 OD GEAR	K-1971
14	4304317	SLIDING CLUTCH	22026	1	USE W/22032 SPACER AND 4300190 OD GEAR	K-3694
16	4303603	WASHER	4302397	1		K-3157
17	4302398	WASHER		2	MUST BE USED WITH 3-SIDED KEY & S-2120 MAINSHAFT ONLY	K-3157
18	4302393	OD GEAR-MAINSHAFT	4305070	1	MUST BE USED WITH 3-SIDED KEY & S-2120 MAINSHAFT ONLY	K-3157
19	4302394	2ND GEAR-MAINSHAFT	4302395	1	MUST BE USED WITH 3-SIDED KEY & S-2120 MAINSHAFT ONLY	

Group: MISC. THRU-SHAFT PTO  
 Sub-Group: COUNTERSHAFT

1



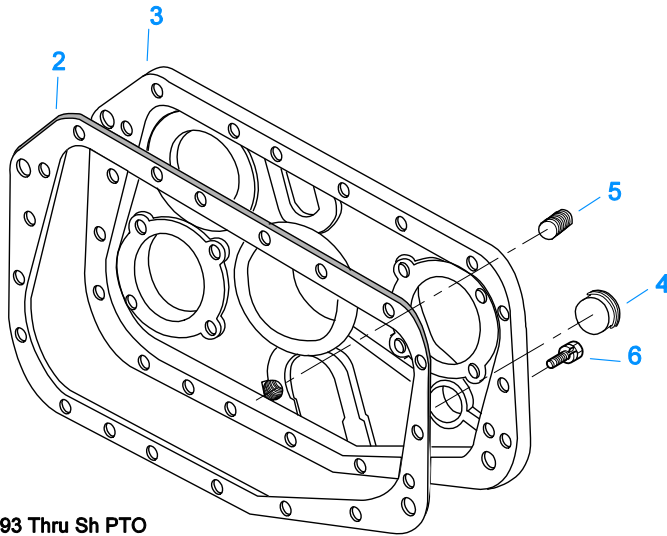
10450-5/93 CS PTO

## MISC. THRU-SHAFT PTO

### COUNTERSHAFT

Item	Current Part	Description	Replaced Part	Qty.	Notes	Kits/Assys Where Needed
1	K-3783	COUNTERSHAFT REPL KIT	20804 ,22411, 4301054, K-2935	1		

Group: MISC. THRU-SHAFT PTO  
 Sub-Group: REAR HOUSING ASSY



10404A-7/93 Thru Sh PTO

## MISC. THRU-SHAFT PTO

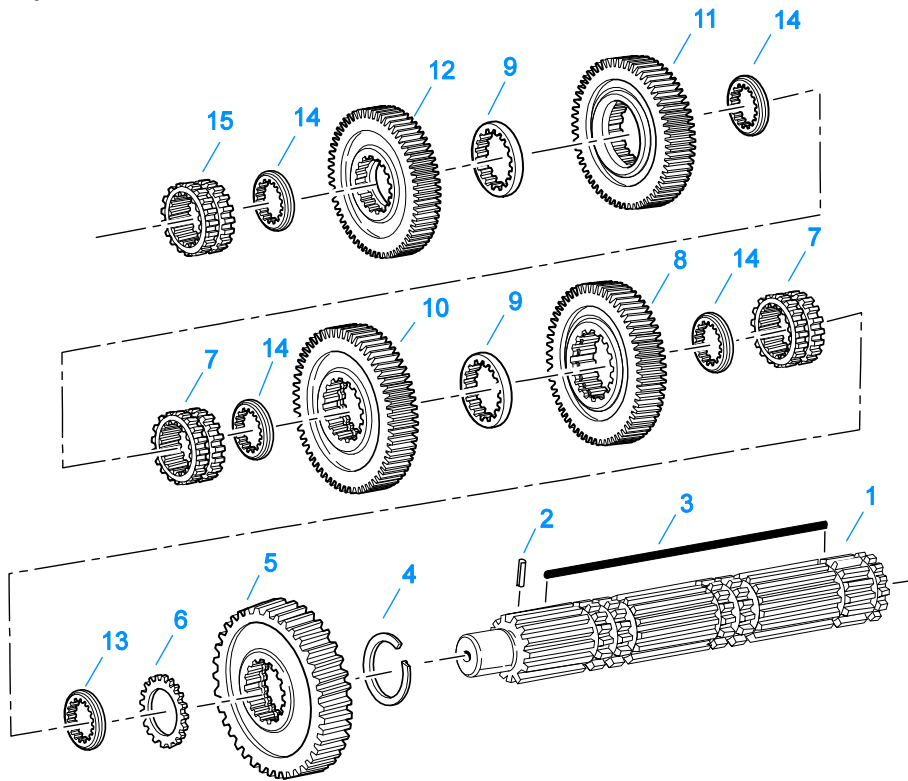
### REAR HOUSING ASSY

Item	Current Part	Description	Replaced Part	Qty.	Notes	Kits/Assys Where Needed
2	14335	GASKET		1		
3	21156	REAR HOUSING		1		
4	21073	EXPANSION PLUG		1		
5	X-12-1207	PIPE PLUG	X12 1202 X12 1206	1	3/4" MAGNETIC	
6	X-8L-601	CAPSCREW		3	3/8"-16X3/4"	

## MISCELLANEOUS

Item	Current Part	Description	Replaced Part	Qty.	Notes	Kits/Assys Where Needed
20398		SHIFT DIAGRAM LABEL	19675	1		
71203		SILICONE LUBE		1	8 OZ (236.59 CC)-FLEET SIZE	
71204		ADHESIVE SEALANT		1	0.5 CC (SINGLE APPLICATION SIZE)	
71205		SEALANT		1	2 CC (SINGLE APPLICATION SIZE)	K-1702,K-1971,K-3694
71206		SILICONE LUBE		1	4 CC (SINGLE APPLICATION SIZE)	K-1431,K-1450,K-1566,K-1699,K-2428,K-2429



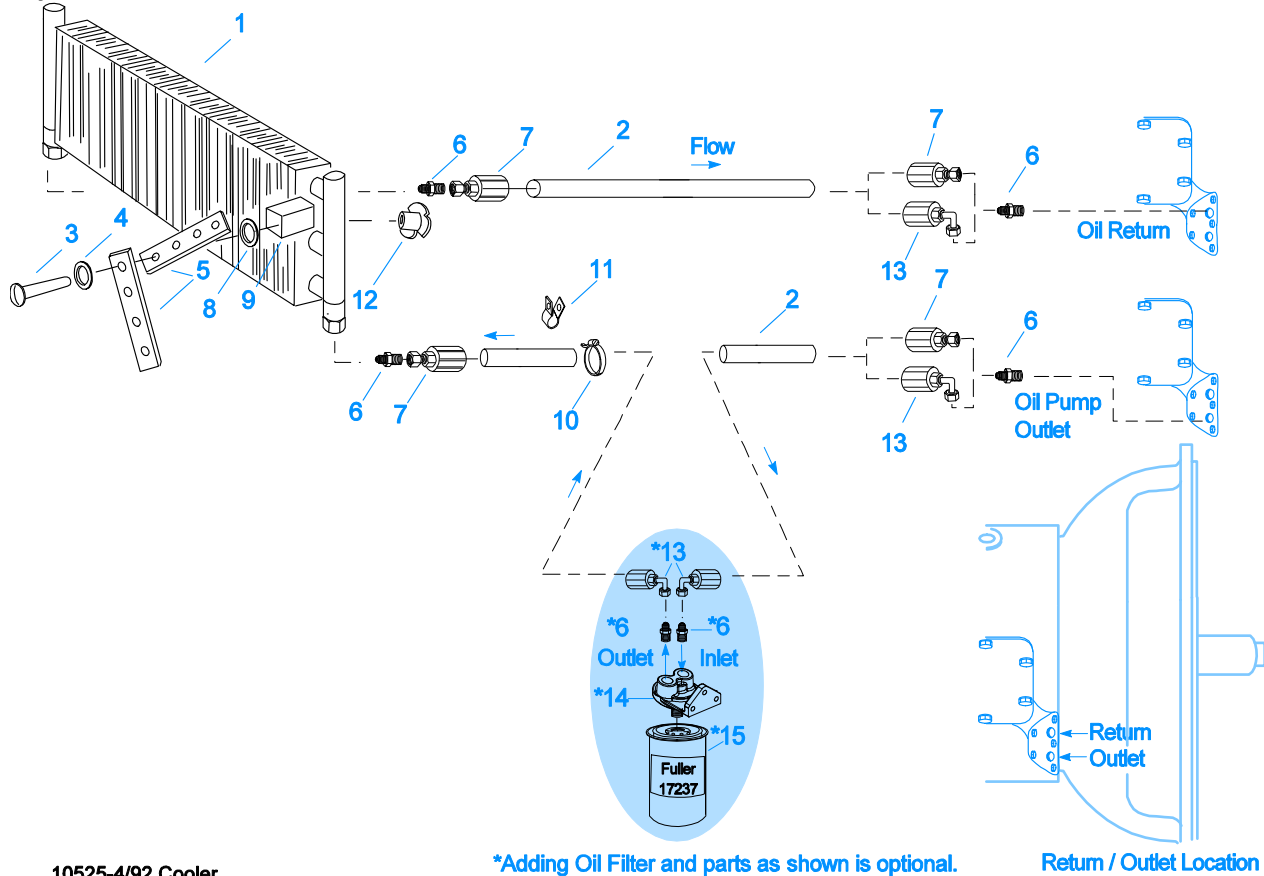


10337B-10-96

### NON-SELECTIVE M/S ASSY

Item	Current Part	Description	Replaced Part	Qty.	Notes	Kits/Assys Where Needed
1	S-2688	MAINSHAFT ASSY	4303404 4303913	1		K-3157
2	62504	ROLL PIN		1		S-1341,S-2688
3	4304615	3-SIDED KEY	4300120	1		K-2439,K-3157
4	14750	SNAP RING		1		K-1800,K-1870,K-1971,K-2468,K-3694,K-4125
5	16756	REVERSE GEAR-MAINSHAFT	22408	1		
6	14749	SPACER		1		K-1800
7	16118	SLIDING CLUTCH		2		K-1971
8	4303409	LO GEAR-MAINSHAFT	4303407	1		K-3157
9	4303603	WASHER	4302397	2		K-3157
10	4303420	1ST GEAR-MAINSHAFT	4303408	1		
11	4302394	2ND GEAR-MAINSHAFT	4302395	1		
12	4302393	OD GEAR-MAINSHAFT	4305070	1		K-3157
13	4300830	WASHER .244-BLUE		1		K-2439,K-3694
14	4302398	WASHER		4		K-3157
15	4304317	SLIDING CLUTCH	22026	1		K-3694

Group: OIL COOLER



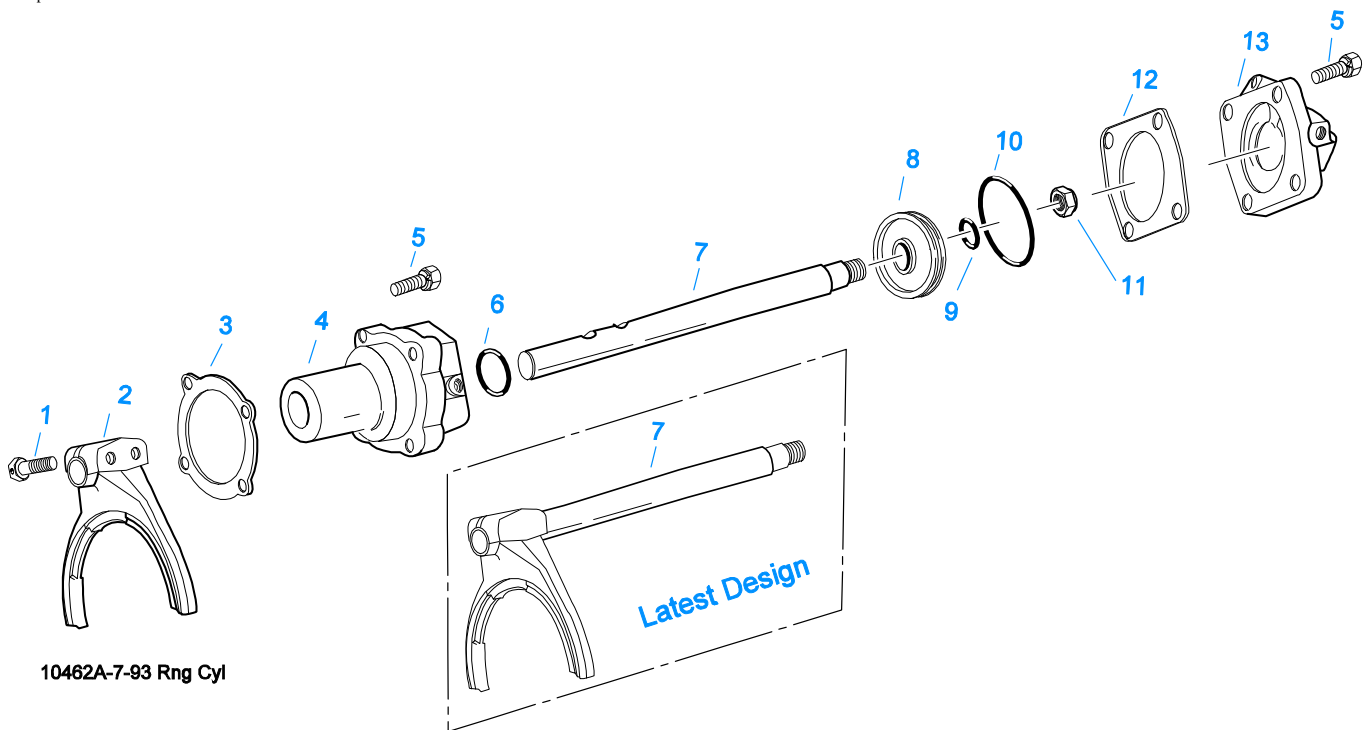
10525-4/92 Cooler

\*Adding Oil Filter and parts as shown is optional.

Return / Outlet Location

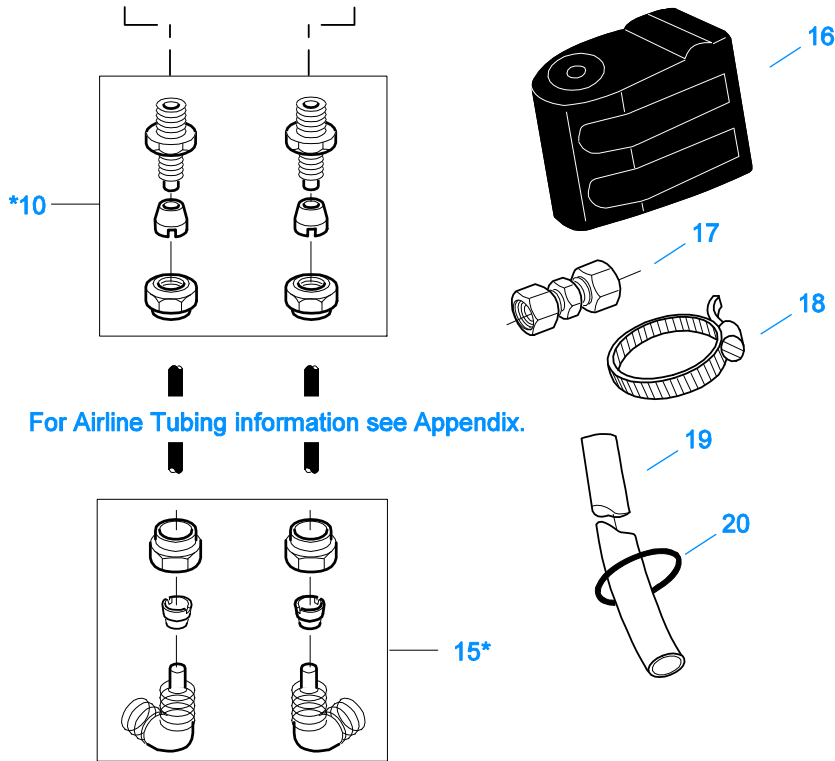
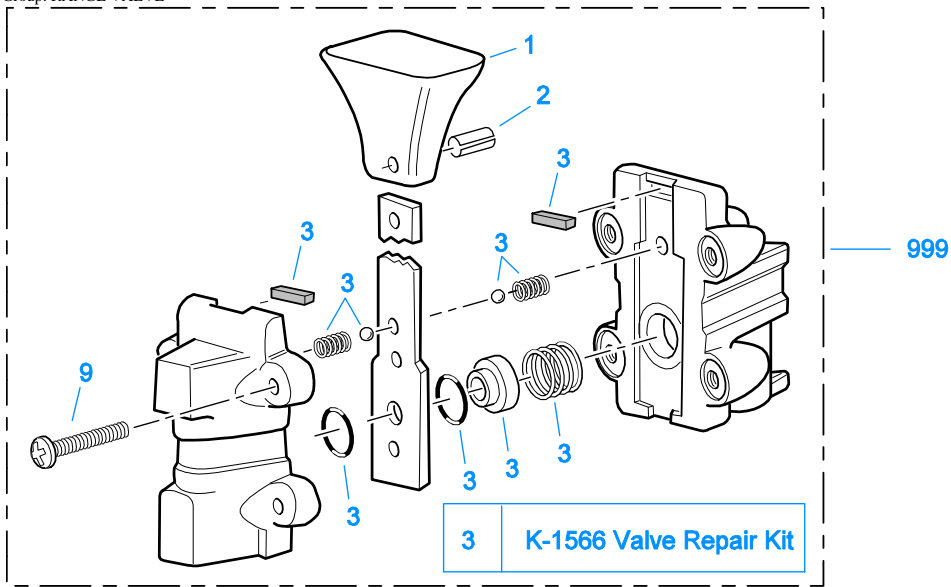
## OIL COOLER

Item	Current Part	Description	Replaced Part	Qty.	Notes	Kits/Assys Where Needed
1	18025	OIL COOLER		1		K-1702,K-1956
2	19424	HOSE		1	25 FEET	K-1702,K-1956
3	X-8-535	CAPSCREW		2	5/16"-16X2-1/2"	
4	X-3-506	LOCKWASHER		2	5/16"	
5	18211	BRACKET		4		K-1702,K-1956
6	19419	CONNECTOR		6		K-1702,K-1956,S-1404
7	19415	SWIVEL		4		K-1702,K-1956
8	X-10-501	WASHER		2	5/16"	
9	18209	PLUG-RUBBER MOUNT		2		K-1702,K-1956
10	17190	STRAP		8		K-1702,K-1956
11	19423	CLAMP		5		K-1702,K-1956
12	18210	NUT		2		K-1702,K-1956
13	19422	ELBOW		4		K-1956
14	S-1404	OIL FILTER	17238	1		
15	17237	FILTER ELEMENT		1		S-1404



## RANGE CYLINDER

Item	Current Part	Description	Replaced Part	Qty.	Notes	Kits/Assys Where Needed
1	X-7-809	BOLT	X 7 810 ,X 7 811	2	1/2"-20X1-3/4"	
2	22823	SHIFT YOKE	16775	1		
3	14347	GASKET		1		K-1431,K-2199
4	16778	AUXILIARY CYLINDER		1		K-1431
5	X-8L-604	CAPSCREW		8	3/8"-16X1-1/4"	
6	14765	-O- RING		1		K-1431,K-1450
7	19652	YOKE BAR	16773	1		
7	A-6160	WELDED YOKE ASSY		1		
8	14341	PISTON	23353	1		K-1431
9	14345	-O- RING		1		K-1431,K-1450
10	14344	-O- RING		1		K-1431,K-1450
11	X-1-1010	NUT		1	5/8"-18	
12	14349	GASKET		1		K-1431,K-1450,K-2199
13	19690	CYLINDER COVER		1		



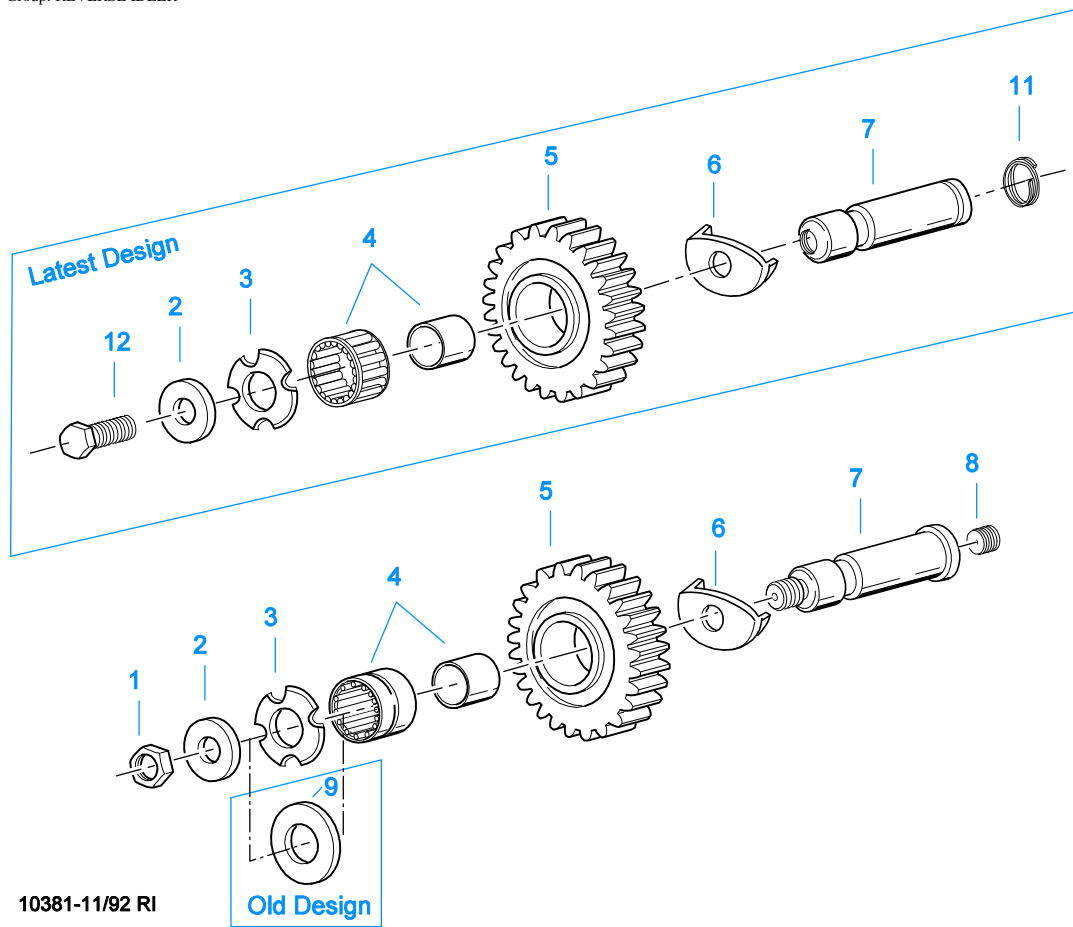
\*For Connector and Elbow Assy component information see Appendix

10099-5/93 AV

## RANGE VALVE

Item	Current Part	Description	Replaced Part	Qty.	Notes	Kits/Assys Where Needed
1	15120	KNOB		1		A-3546
2	62512	ROLL PIN		1		A-3546
3	K-1566	VALVE REPAIR KIT		1	FOR A-3546 VALVE	
9	X-13-214	SCREW		4	8-32X3/4"	
10	84002	CONNECTOR ASSY	82502	2	1/8" TUBE-1/8" NPTF	K-1963, K-1971, K-3694
10	84004	CONNECTOR ASSY	82504	2	5/32" TUBE-1/8" NPTF	
10	84006	CONNECTOR ASSY		2	"PUSH-TO-CONNECT" 5/32" TUBE-	K-2010

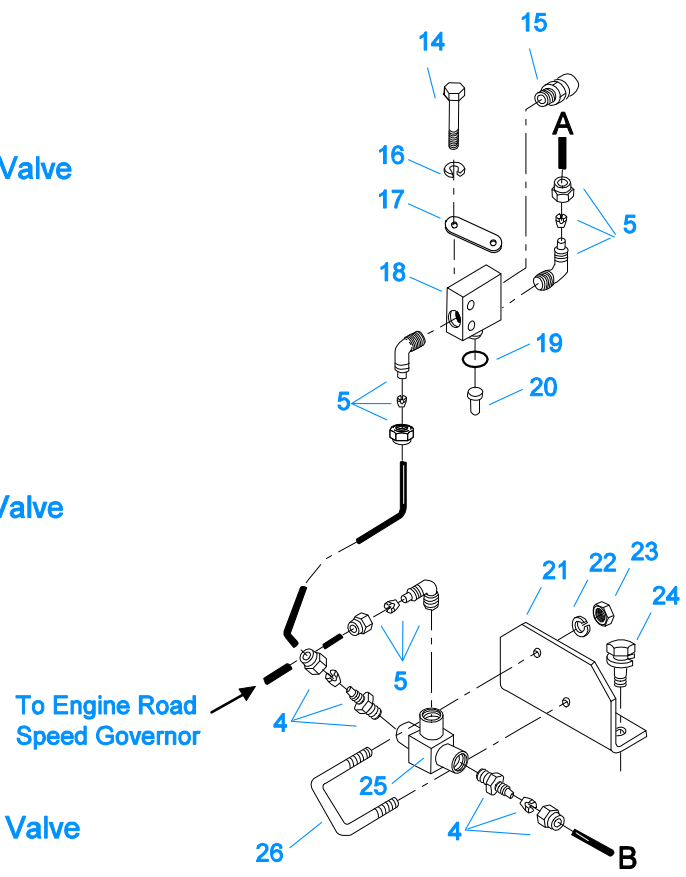
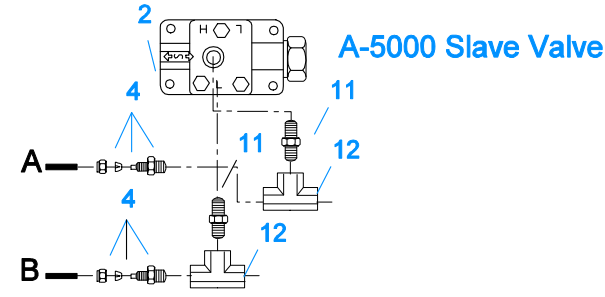
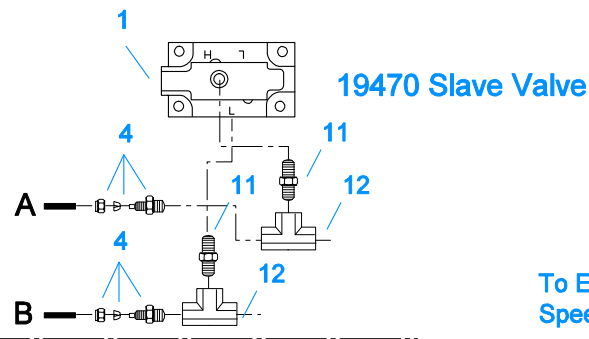
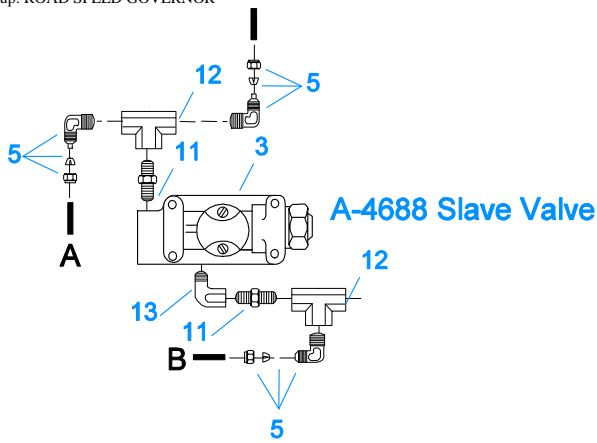
Item	Current Part	Description	Replaced Part	Qty.	Notes	Kits/Assys Where Needed
15	85001	ELBOW ASSY	84501	2	1/8"NPTF	
15	85002	ELBOW ASSY	84502	2	5/32"TUBE-1/8"NPTF	K-1963,K-1971,K-3694
15	85003	ELBOW ASSY		2	1/8"TUBE-1/8"NPTF	
					"PUSH-TO-CONNECT" 5/32"TUBE-1/8"NPTF	K-2010
16	18905	NO LONGER AVAILABLE		1		
17	84101	UNION ASSY		1	1/8" TUBING	
17	84102	UNION ASSY		1	5/32" TUBING	
17	84103	UNION ASSY		1	"PUSH-TO-CONNECT" 5/32" TUBING	K-2010
18	14441	CLAMP	14465	1		
19	80120	SHEATHING (50 FT ROLL)		1	5/32" - BLACK 50'	
20	13571	-O- RING CLAMP		2		
999	A-3546	RANGE VALVE ASSY	18268 ,18269 ,18272	1		



10381-11/92 RI

## REVERSE IDLER

Item	Current Part	Description	Replaced Part	Qty.	Notes	Kits/Assys Where Needed
1	X-1-1008	NUT		2	5/8"-18	
2	14283	WASHER		2		K-3217
3	4302982	WASHER	14282	2		K-3217,S-1318,S-1519
4	14287	BEARING	4305020	2		K-1870,K-1971,K-3694
5	16757	REVERSE IDLER GEAR	22409	2		
6	16403	WASHER		2		K-3217
7	K-3217	IDLER SHAFT REPL KIT	4302981	2		
8	5202	PLUG		2		
9	14282	NO LONGER AVAILABLE		2		
11	4303336	RETAINING RING		2		K-3217,K-3694
12	X-7-1008	CAPSCREW		2	5/8"-18X1-1/4	



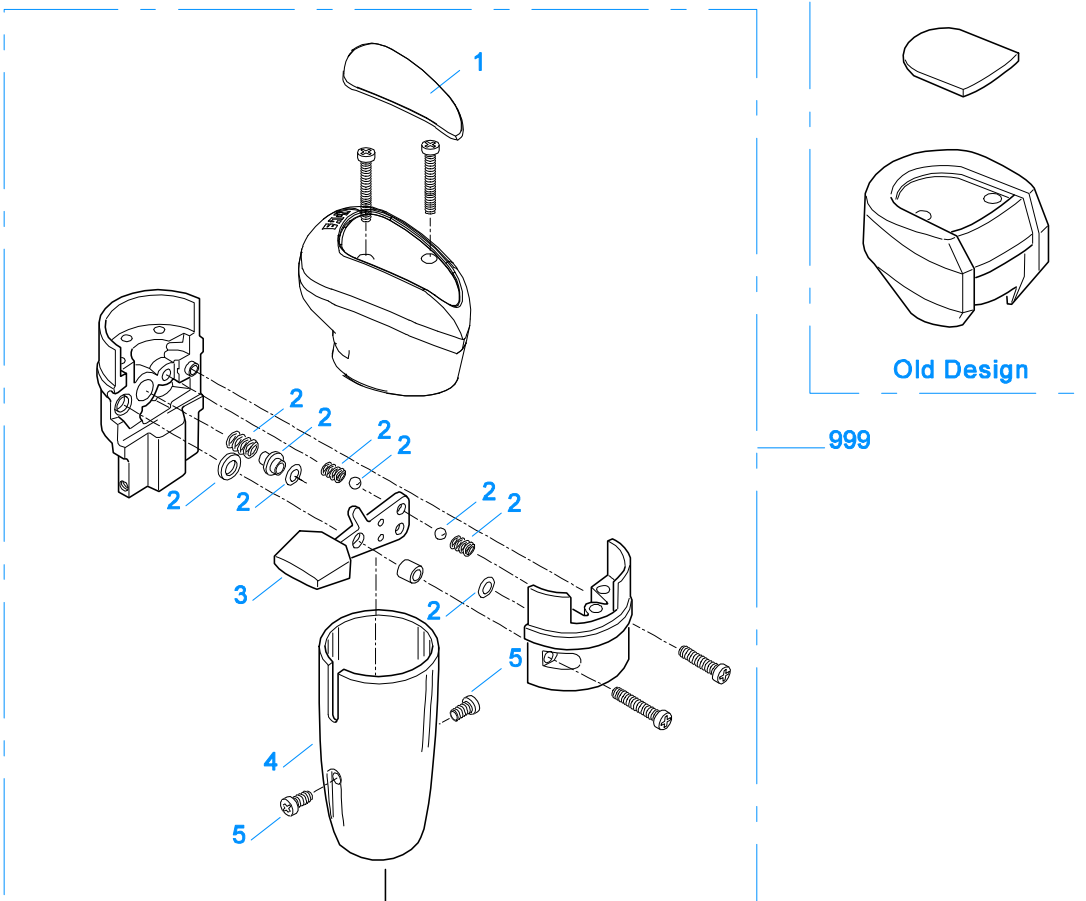
10501-6-94 HC/RSG

## ROAD SPEED GOVERNOR

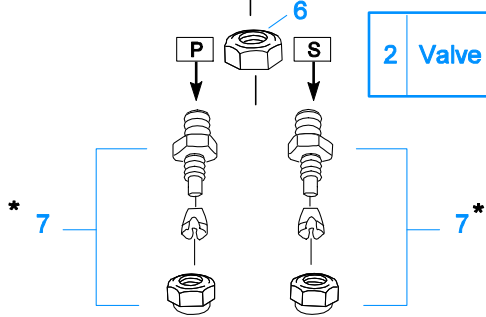
Item	Current Part	Description	Replaced Part	Qty.	Notes	Kits/Assys Where Needed
1	K-2424	VALVE REPLACEMENT KIT	19470	1		
2	A-5000	SLAVE VALVE ASSY	20850	1		K-1963,K-2424,K-3694
3	A-4688	SLAVE VALVE ASSY	15125 ,19464 ,A - 3991	1		
4	84002	CONNECTOR ASSY	82502	4	1/8" TUBE-1/8" NPTF	K-1963,K-1971,K-3694
4	84004	CONNECTOR ASSY	82504	4	5/32" TUBE-1/8" NPTF	
4	84006	CONNECTOR ASSY		4	"PUSH-TO-CONNECT" 5/32" TUBE-1/8" NPTF	K-2010
5	85001	ELBOW ASSY	84501	6	5/32" TUBE-1/8" NPTF	
5	85002	ELBOW ASSY	84502	6	1/8" TUBE-1/8" NPTF	K-1963,K-1971,K-3694
5	85003	ELBOW ASSY		6	"PUSH-TO-CONNECT" 5/32" TUBE-1/8" NPTF	K-2010
11	12769	NIPPLE		2	1/8"	K-1963
12	12881	TEE		2	1/8"	K-1963
13	12845	ELBOW		1	1/8"	K-1963,K-3694
14	X-8-434	CAPSCREW		2	1/4"-20X2"	
15	7935	BREATHER		1		
16	X-3-400	LOCKWASHER		2	1/4"	
17	20199	PLATE	18724	1		S-1445,S-1527
18	18734	VALVE		1		
19	18656	NO LONGER AVAILABLE		1		

Item	Current Part	Description	Replaced Part	Qty.	Notes	Kits/Assys Where Needed
20	15899	PIN		1	RT-RTF	S-1445,S-1527
20	20119	PIN		1	RTX-RTXF	
21	18685	NO LONGER AVAILABLE		1		
22	X-3-305	LOCKWASHER		2	#10	
23	X-1-250	NO LONGER AVAILABLE		2	#10-32	
24	X-8L-602	CAPSCREW		2	3/8"-16X1-1/2"	
25	18675	VALVE		1		
26	18684	NO LONGER AVAILABLE		1		

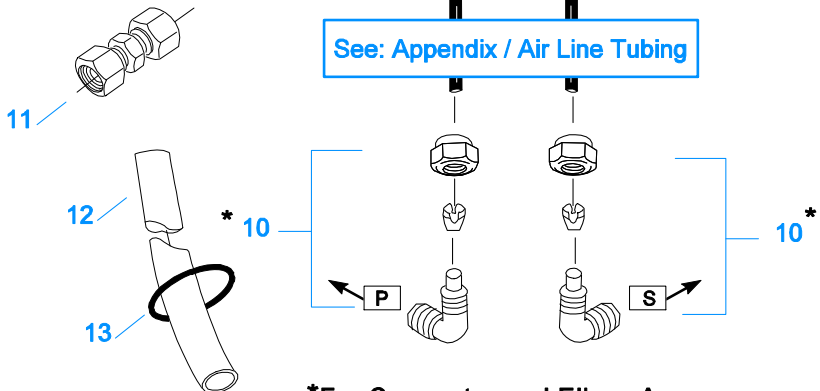




2 Valve Repair Kit



See: Appendix / Air Line Tubing

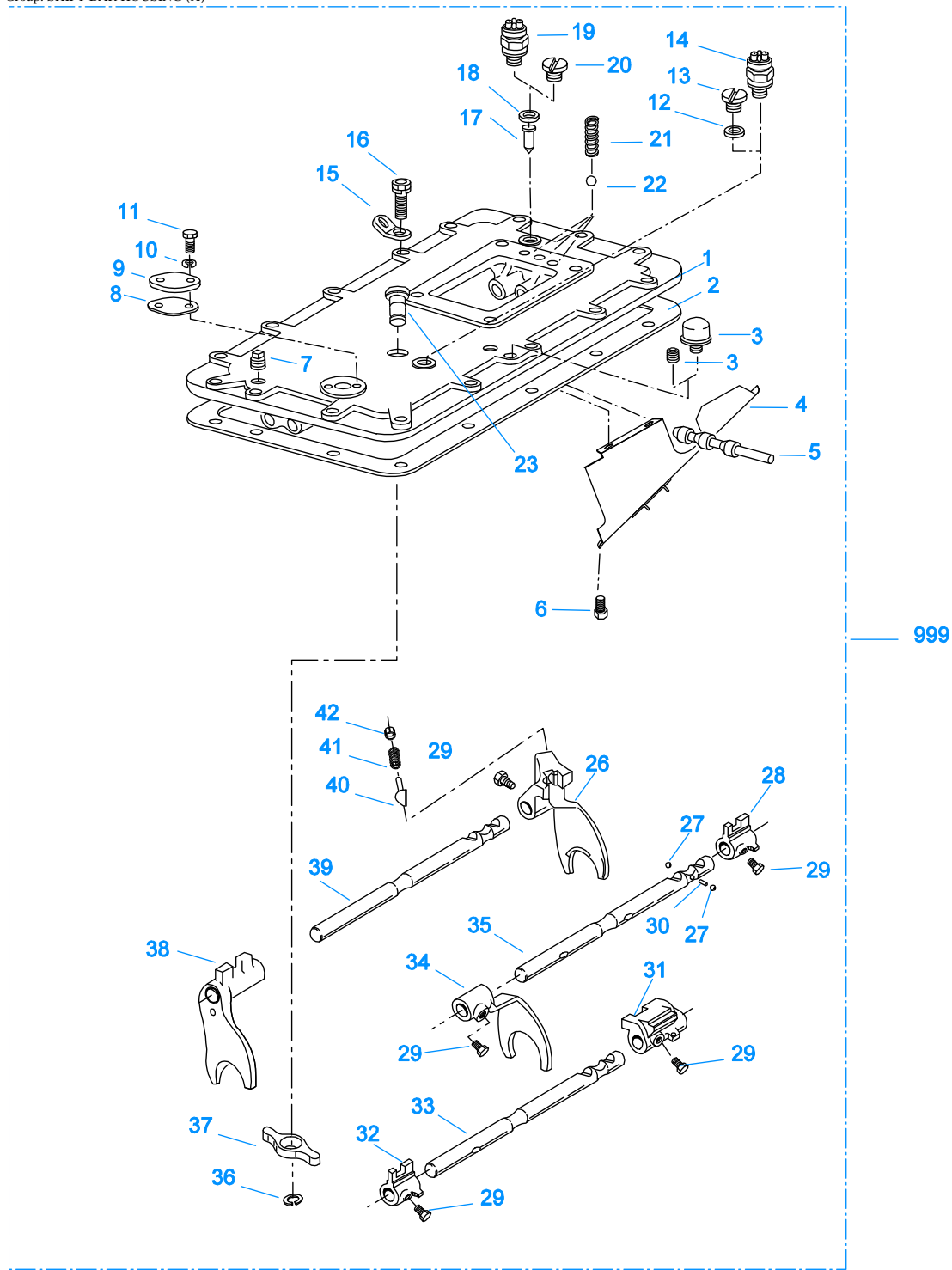


\*For Connector and Elbow Assy component information see Appendix.

10100A-3-97 RRV-2

## ROADRANGER VALVE

Item	Current Part	Description	Replaced Part	Qty.	Notes	Kits/Assys Where Needed
1	20107	MEDALLION, LOGO		1	(OLD DESIGN) FULLER LOGO ONLY	
1	5586100	MEDALLION, LOGO		1	(LATEST DESIGN) FULLER LOGO ONLY	A-6909
1	5586104	SHIFT DIAGRAM MEDALLION		1	RT	S-2540
1	5586105	SHIFT DIAGRAM MEDALLION		1	RTO	S-2541
1	5586108	SHIFT DIAGRAM MEDALLION		1	P & R RATIO (9 SPEEDS)	S-2542
2	K-1921	MASTER VALVE REPAIR KIT		1	FOR A-6909 & A-5010 VALVES	
3	20495	LEVER		1		A-6909
4	20112	COVER		1		A-6909
5	X-8-213	SCREW	X 8 202	2	8-32X3/8"	
6	X-9-802	NUT		1	1/2"-13	
7	84001	CONNECTOR ASSY	82501	2	1/8" TUBE-1/16" NPTF	
7	84003	CONNECTOR ASSY	82503	2	5/32" TUBE-1/16" NPTF	
7	84005	CONNECTOR ASSY		2	"PUSH-TO-CONNECT" 5/32" TUBE-1/16" NPTF	K-2010
10	85001	ELBOW ASSY	84501	2	5/32" TUBE-1/8" NPTF	
10	85002	ELBOW ASSY	84502	2	1/8" TUBE-1/8" NPTF	K-1963, K-1971, K-3694
10	85003	ELBOW ASSY		2	"PUSH-TO-CONNECT" 5/32" TUBE-1/8" NPTF	K-2010
11	84101	UNION ASSY		1	1/8" TUBING	
11	84102	UNION ASSY		1	5/32" TUBING	
11	84103	UNION ASSY		1	"PUSH-TO-CONNECT" 5/32" TUBING	K-2010
12	80120	SHEATHING (50 FT ROLL)		1	5/32" - BLACK 50'	
13	13571	-O- RING CLAMP		2		
999	A-6909	ROADRANGER VALVE ASSY	A - 5010 A - 5310	1	STANDARD-W/LOGO	K-2010
999	S-2540	ROADRANGER VALVE ASSY	A - 5037	1	RT - W/SHIFT DIAGRAM MEDALLION	
999	S-2541	ROADRANGER VALVE ASSY	A - 5040	1	RTO - W/SHIFT DIAGRAM MEDALLION	
999	S-2542	ROADRANGER VALVE ASSY	A - 5185	1	P & R RATIO (9 SPEEDS)-W/SHIFT MEDALLION	



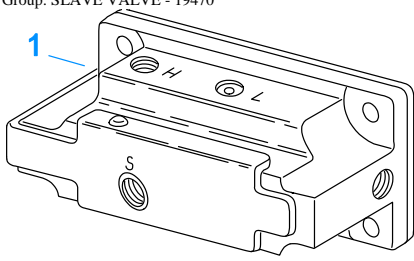
10244-11-96 X-Bar

### SHIFT BAR HOUSING (X)

Item	Current Part	Description	Replaced Part	Qty.	Notes	Kits/Assys Where Needed
1	S-1445	SHIFT BAR HSG (X)	18920 ,20135 ,20214 ,20215 ,20487 21135	1	HOUSING ONLY (X)	
2	4302676	GASKET	14918	1		K-1702,K-2199,S-1527
3	4304602	BREATHER	23605	1	1/4" NPT	K-1702,K-3694
3	X-12-404	PIPE PLUG		1	1/4" NPT	
4	20070	OIL TROUGH		1		S-1527
5	20332	AIR VALVE SHAFT	17177	1		S-1527

Item	Current Part	Description	Replaced Part	Qty.	Notes	Kits/Assys Where Needed
6	X-8-423	CAPSCREW		2	1/4"-20X1/2"	
7	X-12-603	PIPE PLUG	X12 602	1	3/8" NPT	
8	20209	GASKET		1		S-1445,S-1527
9	20199	PLATE	18724	1		S-1445,S-1527
10	X-3-400	LOCKWASHER		2	1/4"	
11	X-8-406	CAPSCREW		2	1/4"-20X3/4"	
12	17179	GASKET		1		S-1445,S-1527
13	4303655	PLUG	17178	1		S-1445,S-1527
14	22941	NEUTRAL LIGHT SWITCH	12639	1	SWITCH NORMALLY CLOSED	
15	20815	LIFTING EYE	17105	2		
16	X-8L-602	CAPSCREW		2	3/8"-16X1-1/2" USE W/20815 LIFTING EYES	
16	X-8L-604	CAPSCREW		16	3/8"-16X1-1/4"- OR USE 14 PCS OF X-8L-604 WITH 2 PCS OF X-8L-602	
17	15899	PIN		1		S-1445,S-1527
18	15900	GASKET		1		S-1445,S-1527
19	22940	REVERSE LIGHT SWITCH	16830	1	SWITCH NORMALLY OPEN	
20	4303656	PLUG	15917	1		S-1445,S-1527
21	15918	SPRING		3		K-1800,K-1971,K-3694,S-1527
22	X-14-800	STEEL BALL		3	1/2"	
23	K-3104	ACTUATOR PIN KIT	4303287	1		
26	16131	SHIFT YOKE		1	REVERSE/LO	S-1219,S-1527
27	X-14-1200	STEEL BALL		2	3/4"	
28	14658	SHIFT BLOCK		1	1ST/2ND	S-1527
29	3220	LOCKSCREW		5		S-1527
30	1634	INTERLOCK PIN		1		K-1800,S-1527
31	19063	SHIFT BLOCK		1	3RD/OD	S-1527
32	20120	SHIFT BLOCK	18924	1	3RD/OD	S-1527
33	18928	YOKE BAR	4302760	1	3RD/OD	S-1527
33	20117	YOKE BAR		1	3RD/OD - W/ROAD SPEED GOVERNOR	
34	18922	SHIFT YOKE		1	1ST/2ND	S-1527
35	18927	YOKE BAR		1	1ST/2ND	S-1527
36	4302070	SNAP RING		1		K-3104,S-1527
37	4303225	ACTUATOR		1		S-1527
38	4305575	SHIFT YOKE	20450	1	3RD/OD	K-3694,S-1527
39	18926	YOKE BAR		1	REVERSE/LO	S-1527
40	10019	PLUNGER		1		S-1219,S-1527
41	6392	SPRING		1		S-1219,S-1527
42	8968	PLUG		1		S-1219,S-1527
999	S-1527	SHIFT BAR HSG ASSY (X)	20215 ,21135	1	COMPLETE	

Group: SLAVE VALVE - 19470

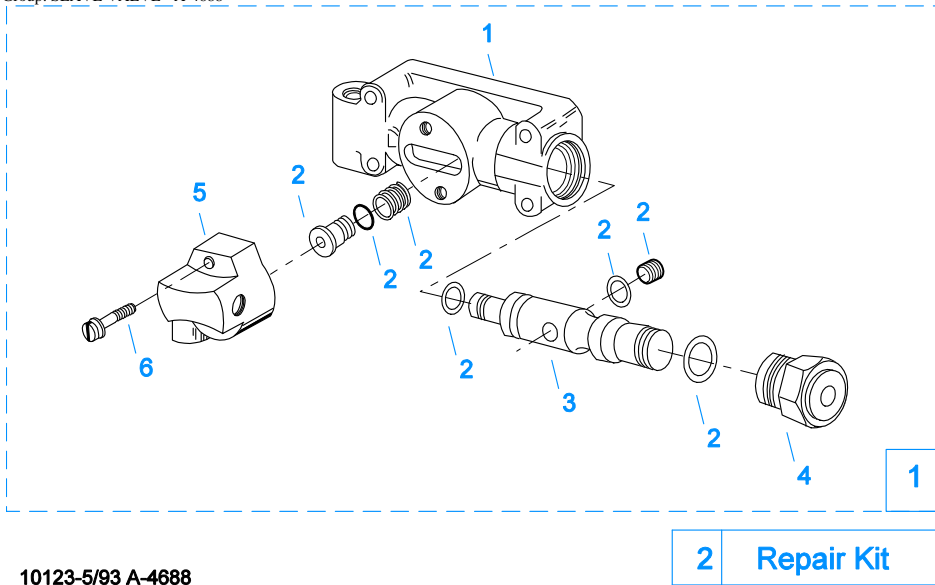


10121-1/92 19470 SV

## SLAVE VALVE - 19470

Item	Current Part	Description	Replaced Part	Qty.	Notes	Kits/Assys Where Needed
1	K-2424	VALVE REPLACEMENT KIT	19470	1		

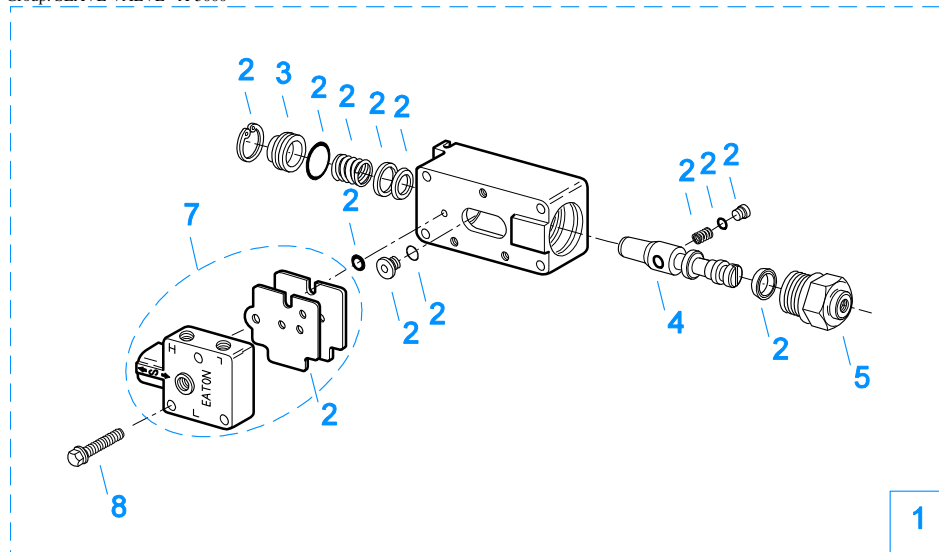
Group: SLAVE VALVE - A-4688



10123-5/93 A-4688

### SLAVE VALVE - A-4688

Item	Current Part	Description	Replaced Part	Qty.	Notes	Kits/Assys Where Needed
1	A-4688	SLAVE VALVE ASSY	15125 ,19464 ,A - 3991	1		
2	K-1699	REPAIR KIT-SLAVE VALVE		1	FOR A-4688 VALVE	
3	19463	PISTON	15126	1		A-4688
4	20849	CAP	15131	1		A-4688,A-5000
5	K-1613	CAP REPLACEMENT KIT	16429 ,18707	1	FOR A-4688 VALVE	
6	X-8S-401	CAPSCREW		2	1/4"-20X1-1/8"	



2 Repair Kit

10120-10-97 A-5000 SV

### SLAVE VALVE - A-5000

Item	Current Part	Description	Replaced Part	Qty.	Notes	Kits/Assys Where Needed
1	A-5000	SLAVE VALVE ASSY	20850	1		K-1963,K-2424,K-3694
2	K-1935	REPAIR KIT-SLAVE VALVE		1	FOR A-5000 VALVE	
3	20855	PLUG		1		A-5000
4	20854	PISTON		1		A-5000
5	20849	CAP	15131	1		A-4688,A-5000
7	S-1516	CAP ASSY	20851 ,20853	1		
8	X-8C-413	CAPSCREW		3	1/4"-20X1-1/2"	

